

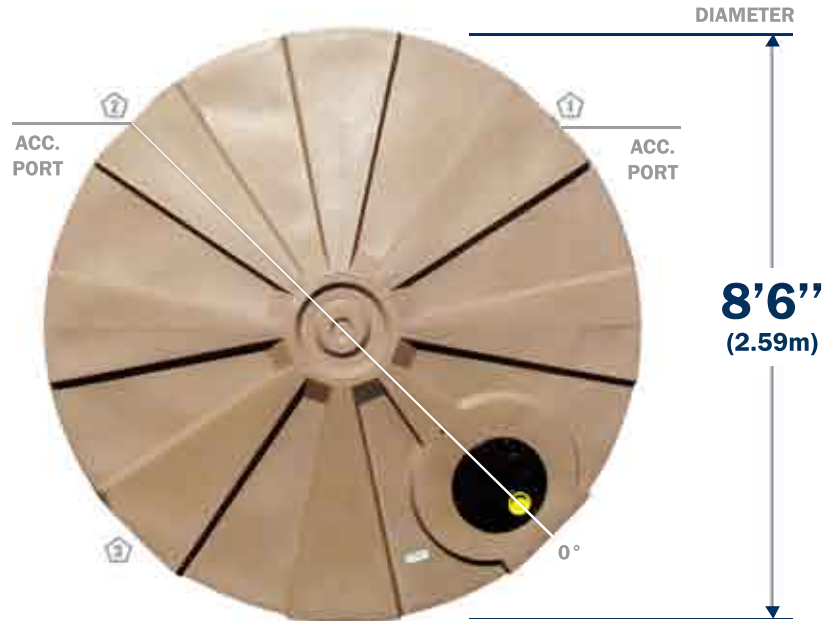
TOP VIEW

STRAINER BASKET

Material: Polypropylene
 Color: Black
 Dimension: 16" x 4"
 Mesh: 20x20 S.S.

COVER

Material: Polypropylene
 Color: Black
 Diameter: 16"
 Holes: 2 - 4" K.O.
 1 - 3" Precut



SIDE VIEW

TANK

Material: Polyethylene
 Rib: 10

OVERFLOW

Material: Polypropylene
 Diameter: 3" SDR 35

FITTINGS

Type: Bulkhead
 Height: 5"/90°
 23"/180°
 5"/270°

Location: Every 120°
 Diameter: 1" NPT



FEATURES



ORDER

53' Truck Load
Quantity = 6

BRTT 2825 CX PX

1 Tank Configuration

BRTT - Bushman Round Tall Tank

2 Capacity

2825 U.S. Gallons (2352 Imperial Gallons, 10695 Liters)

3 Color

C0 - Black
C3 - Forest Green
C4 - Mocha Brown
C5 - Brick Red

4 Package

P1 - Basic Tank System, Package 1
P2 - Premier System, Package 2
P3 - Signature System, Package 3E

- Tank dimensions may prohibit LTL shipping.
- Specifications are subject to change without notice.
- Dimensions are approximate and may vary

COLORS

BLACK

GREEN

MOCHA

BRICK

- Actual colors will vary.

Corporate Headquarters

26040 Ynez Road, P.O. Box 893051
Temecula, California 92589-3051
866.920.8265 (p)
951.296.6123 (f)

Canada

6185 Tomken Road, Unit 3-5
Mississauga, Ontario L5T1X3
800.387.8332 (p)
905.565.8282 (f)

www.bushmanusa.com