

© DEN HARTOG INDUSTRIES, INC.

Copyright. All information furnished within this document, electronic file or design correspondence is the property of Den Hartog Industries, Inc. and shall not be used, disclosed to others or copied without the expressed written consent of Den Hartog Industries, Inc.

CAUTION LABEL 19463

CAUTION

DO NOT OVER TIGHTEN BOLTS

SNUG UP ALL BOLTS THEN EVENLY TORQUE EACH BOLT TO 10 FT. LB.

FAILURE TO HEED MAY RESULT IN BOLT FAILURE AND TANK LEAKAGE

CAUTION LABEL 19471

CAUTION

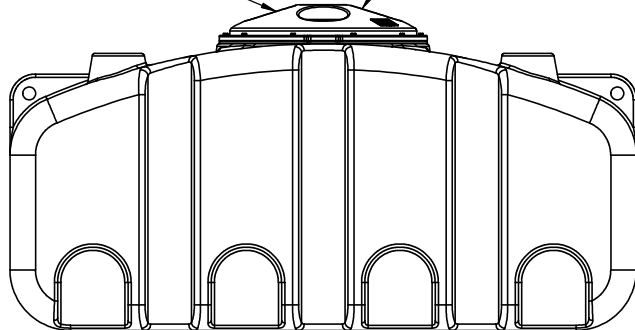
28" MAXIMUM BURIAL DEPTH TO HERE

FAILURE TO HEED MAY RESULT IN TANK FAILURE

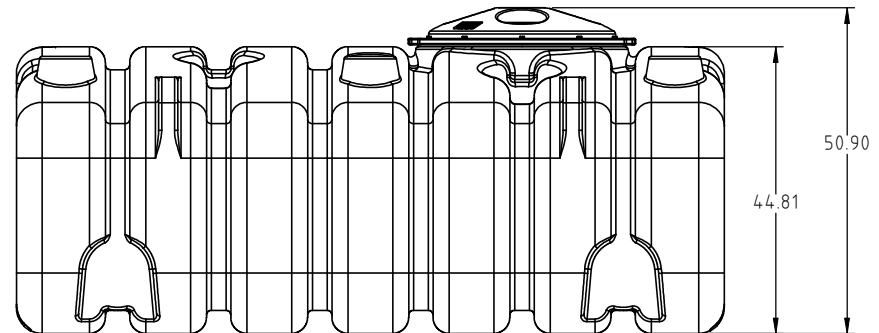
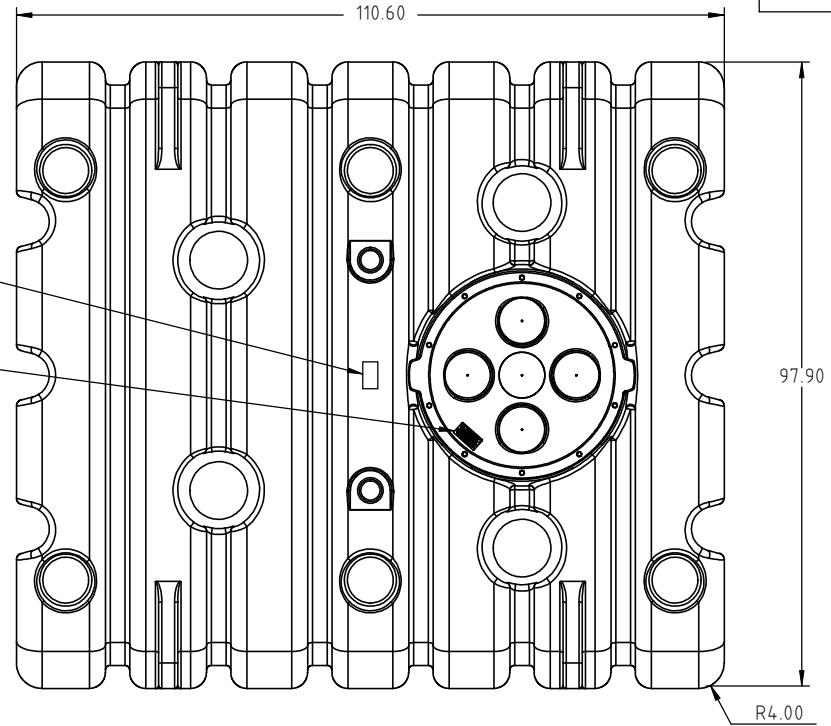
19471

CISTERN BURIAL LID AND GASKET ACT-16053

SEE PRINT 19481 FOR LID INSTALLATION GUIDELINES



ACT1500-LPB



				DRAWN / DATE ADH 4/8/10	MATERIAL
				APPRO. / DATE REH 4/14/10	
REV	DESCRIPTION	BY / DATE	CCN		
	ALL DIMENSIONS ARE IN DECIMAL INCHES TOLERANCES UNLESS OTHERWISE SPECIFIED	THIRD ANGLE PROJECTION ANSI 14.5M		SHOT WEIGHT:	NOTES:
	POLYETHYLENE			SHIPPING WEIGHT: 702.00 LBS	
	±1% @ 68°F			FINISH:	



Den Hartog
INDUSTRIES, INC.

Acra Roto-Mold Injection Molding Blow Molding Sowjoy

4010 HOSPERS DRIVE S. BOX 425, HOSPERS, IOWA 51238-0425

DESCRIPTION	1500 GALLON LOW PROFILE CISTERN WITH BURIAL LID	
SCALE	N.S.	PART NO. ACT1500-LPB