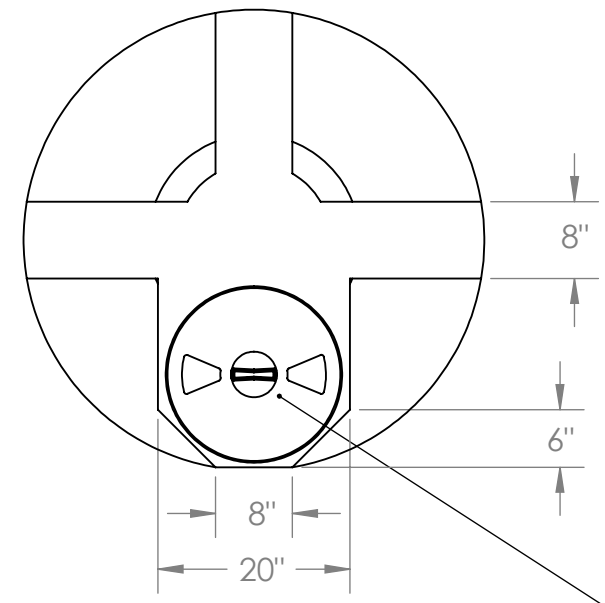
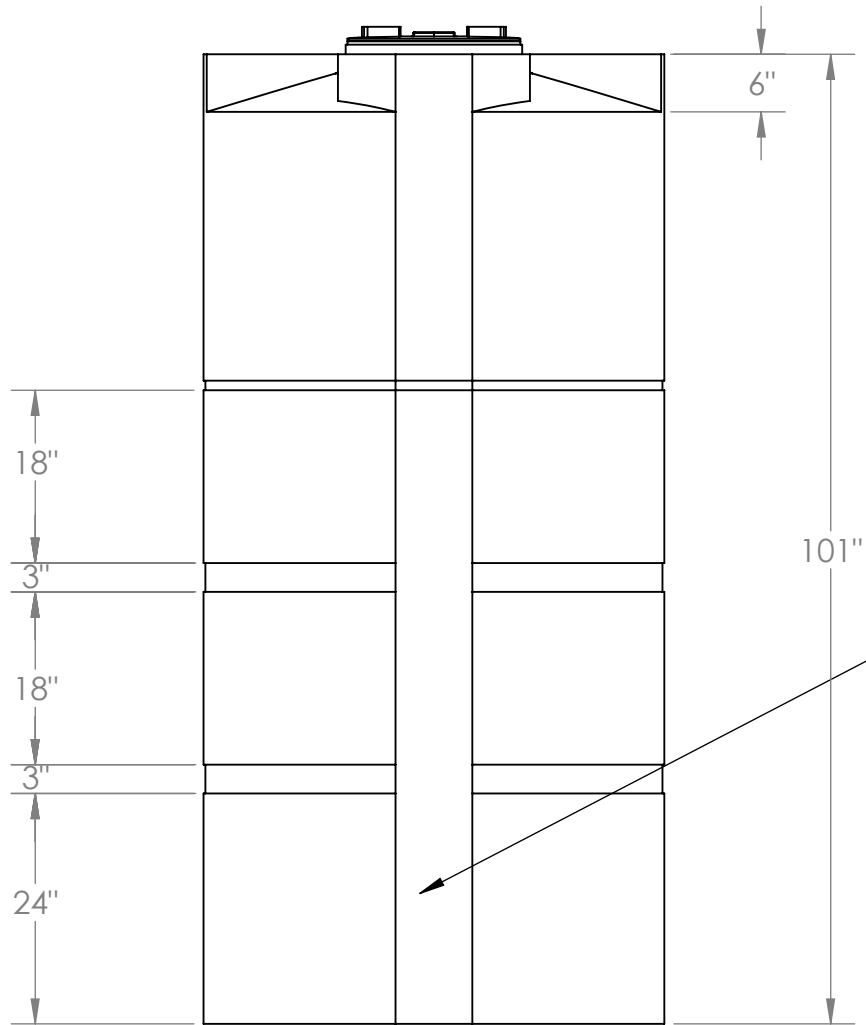
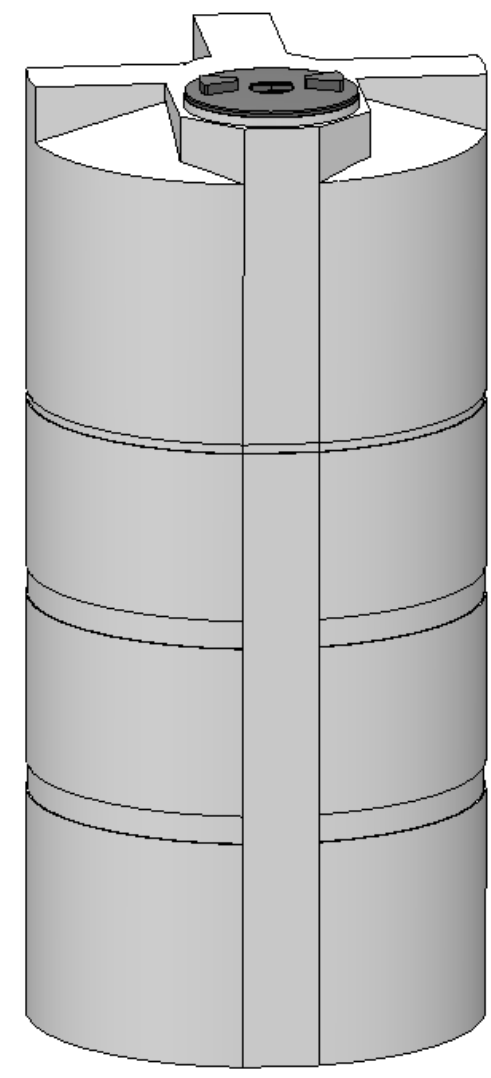


8 7 6 5 4 3 2 1

D
C
B
A



16" THREADED LID
W/4" BREATHER



APPROX.
GALLON MARKERS

NOTES:

1. MATERIAL: POLYETHYLENE
2. WEIGHT: 200 LBS.

PROPRIETARY AND CONFIDENTIAL
THE INFORMATION CONTAINED IN THIS DRAWING IS THE SOLE PROPERTY OF <INSERT COMPANY NAME HERE>. ANY REPRODUCTION IN PART OR AS A WHOLE WITHOUT THE WRITTEN PERMISSION OF <INSERT COMPANY NAME HERE> IS PROHIBITED.

		UNLESS OTHERWISE SPECIFIED:		NAME	DATE	CUSTOM ROTO-MOLDING, INC.	
		DIMENSIONS ARE IN INCHES		DRAWN	EBW	4-23-09	TITLE:
		TOLERANCES:		CHECKED			750 VT. W/16.0 LID
		FRACTIONAL ±		ENG APPR.			SIZE
		ANGULAR: MACH ± BEND ±		MFG APPR.			DWG. NO.
		TWO PLACE DECIMAL ±		Q.A.			REV
		THREE PLACE DECIMAL ±		COMMENTS:			
		INTERPRET GEOMETRIC TOLERANCING PER:					
		MATERIAL					
		FINISH					
NEXT ASSY	USED ON	APPLICATION		DO NOT SCALE DRAWING		SCALE: 1:50 WEIGHT:	
						SHEET 1 OF 1	

8 7 6 5 4 3 2 1