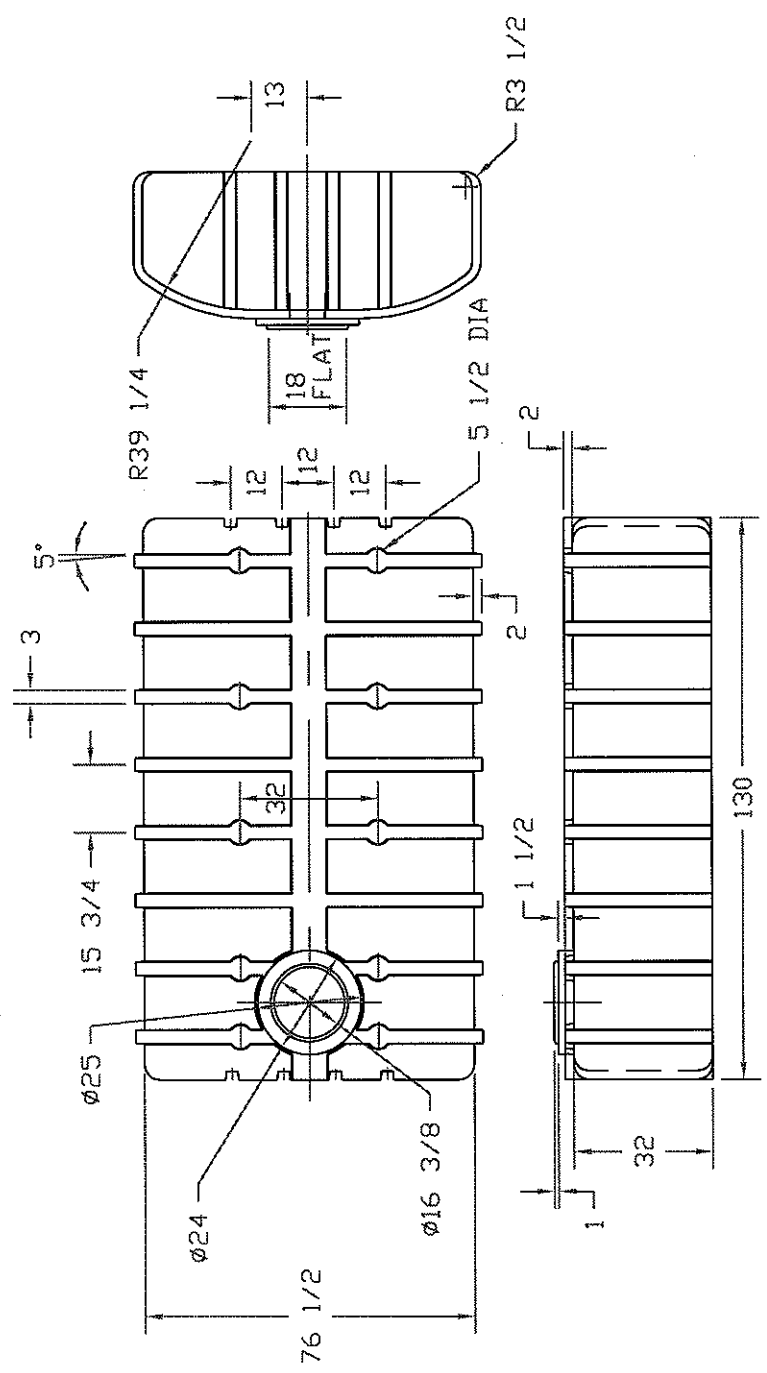


REVISIONS				
ZONE	REV	DESCRIPTION	DATE	APPROVED



NOTES:  
1. END RIBS 3"W X 2" DEEP

<b>NORWESCO</b>		ST. BONIFACIUS, MN	
1250 LOW PROFILE		WATER TANK	
SIZE	FSCM NO.	DWG NO.	REV
B			
JTP	23FEB01	SCALE 1/32	SHEET