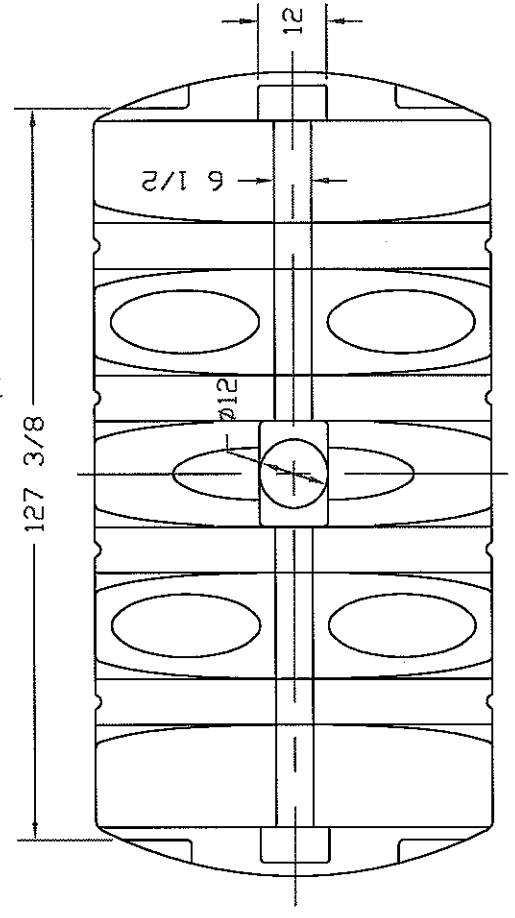
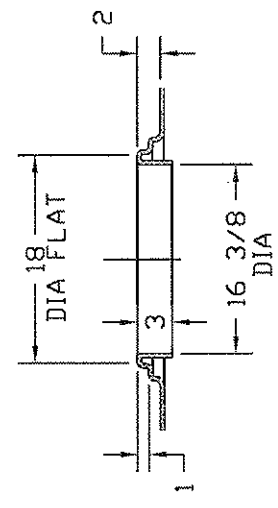
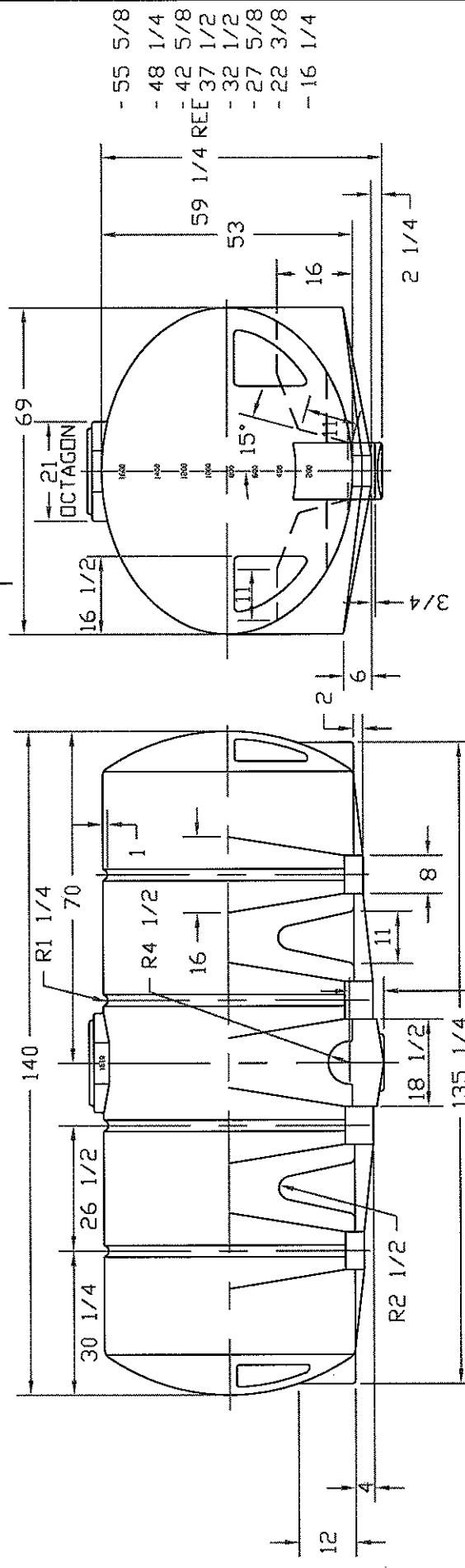


REVISIONS		DESCRIPTION	DATE	APPROVED
ZONE	REV	A REDRAWN W/ REVISED SUMP	26FEB99	



NORWESCO		ST. BONIFACIUS, MN	
1610 GALLON ELLIPTICAL		DRAINABLE TANK	
JTP	29OCT97	SIZE	FSCM NO.
		B	
SCALE 1/24		SHEET	
		A	