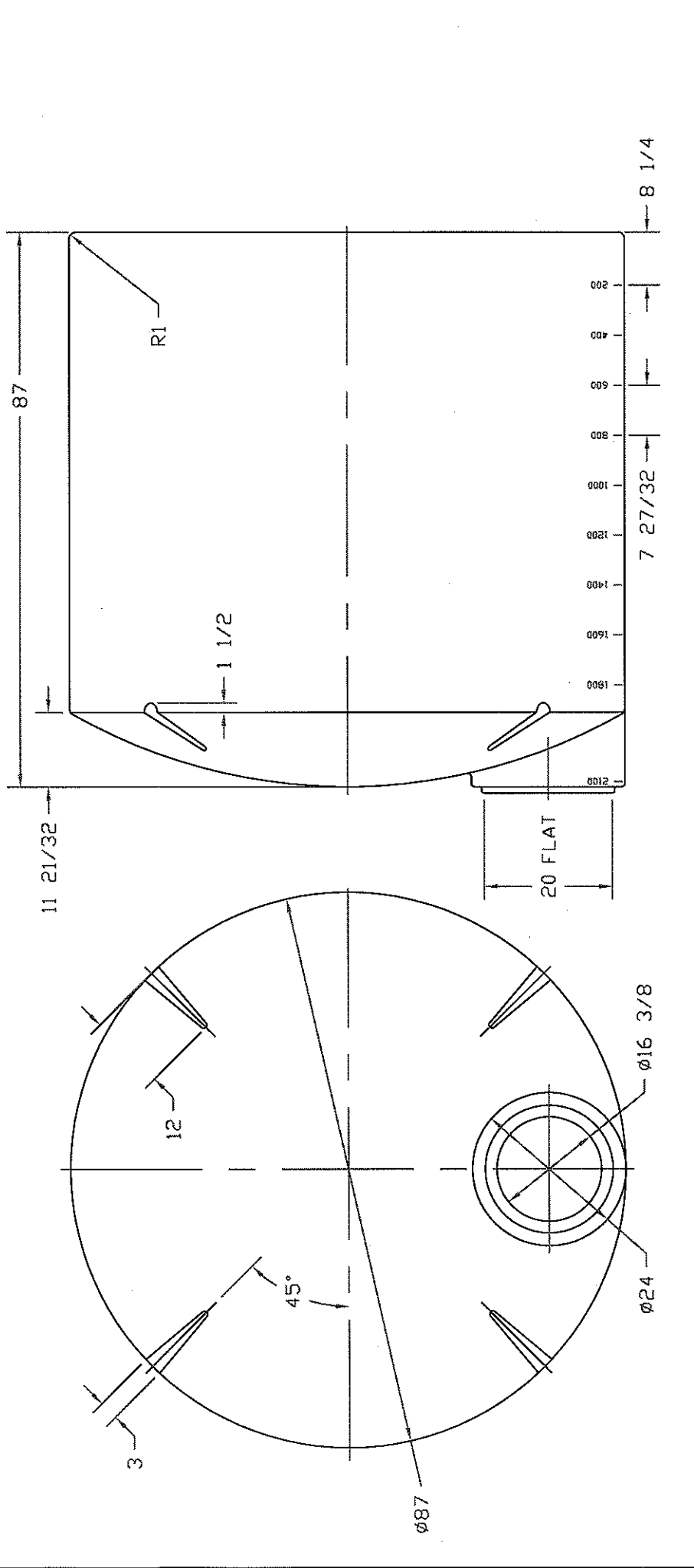


REVISIONS		
ZONE	REV	DESCRIPTION
	A	REDRAWN
		DATE
		02 JAN 97
		APPROVED



NORWESCO		ST. BONIFACIUS, MN	
2100 GALLON VERTICAL		TANK	
JTP	19AUG97	SIZE	FSCM NO.
		B	
		DWG NO.	
		SCALE	1/16
		SHEET	A