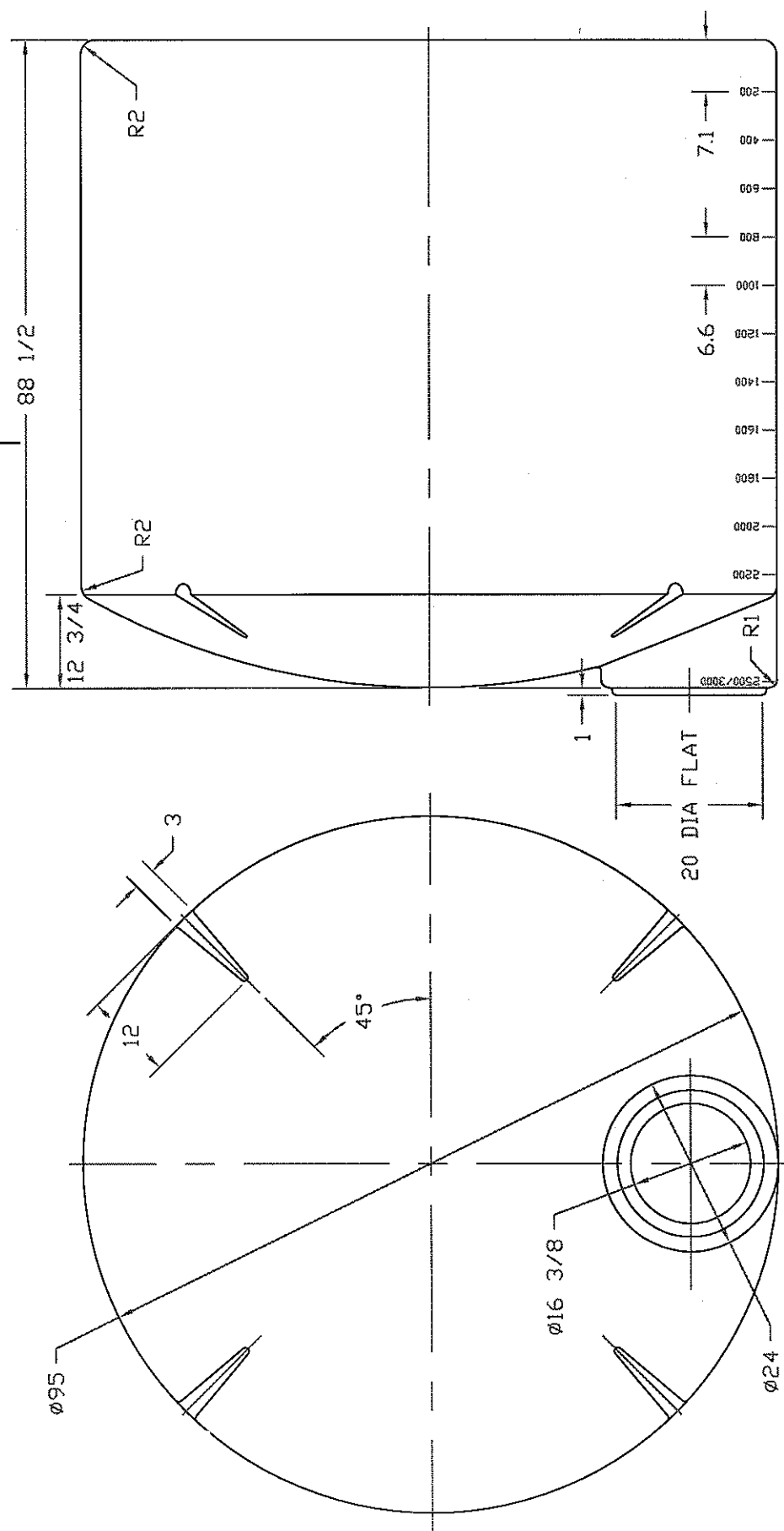


REVISIONS		
ZONE	REV	DESCRIPTION
	C	REDRAWN

DATE	APPROVED
1MAY96	



NORWESCO
 ST. BONIFACIUS, MN
 2500 GALLON VERTICAL
 STORAGE TANK

JTP	1MAY96	SIZE B	FSCM NO.	DWG NO.	REV C
SCALE 1/16					SHEET