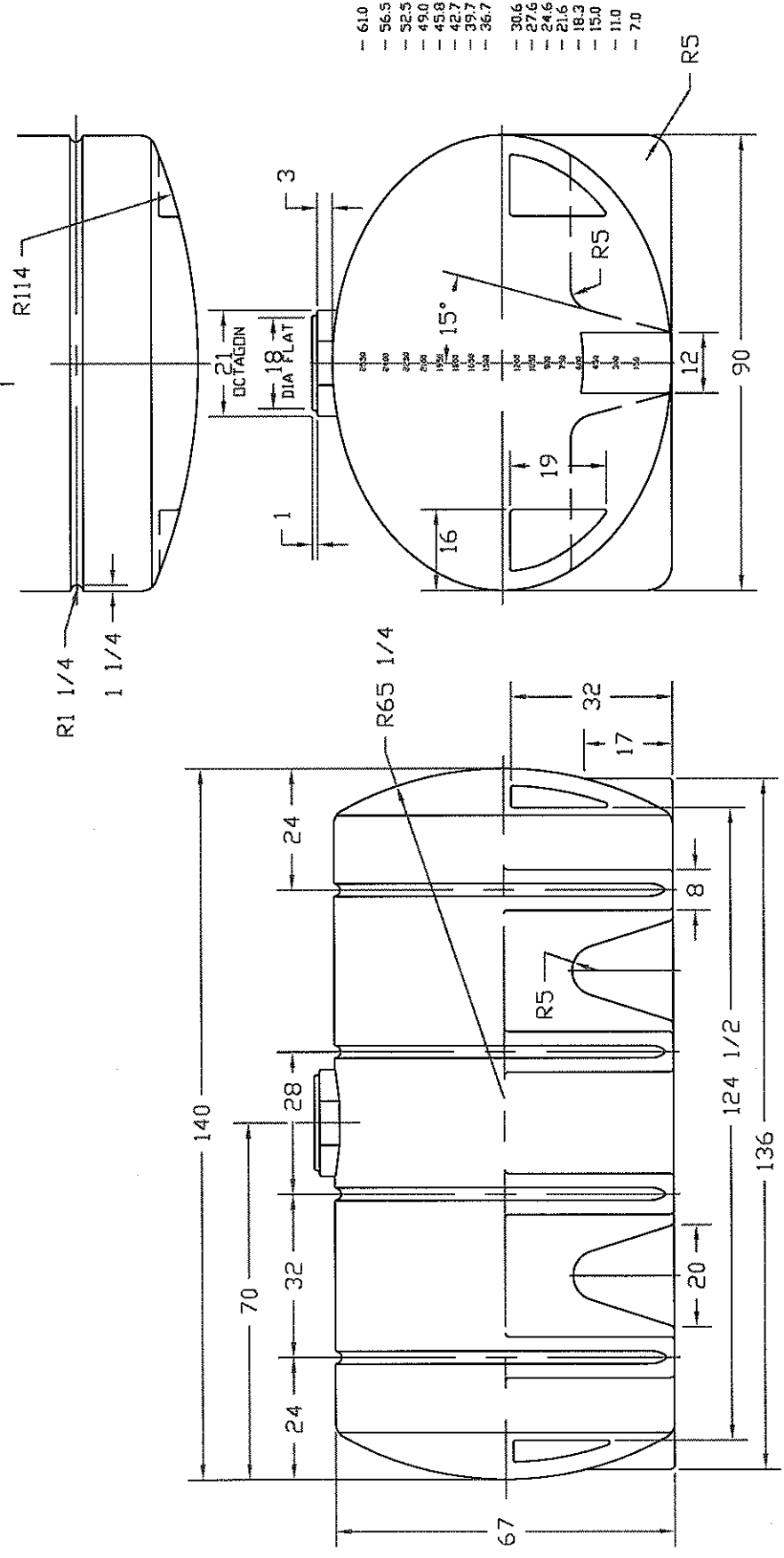


REVISIONS				
ZONE	REV	DESCRIPTION	DATE	APPROVED
	B	REDRAWN, SPRGR REV'D	22OCT97	



NORWESCO
 ST. BONIFACIUS, MN
 2635 GALLON ELLIPTICAL
 HORIZONTAL LEG TANK

JTP	22OCT97	SIZE	B	FSCM NO.		DWG NO.		REV	B
SCALE 1/24								SHEET	