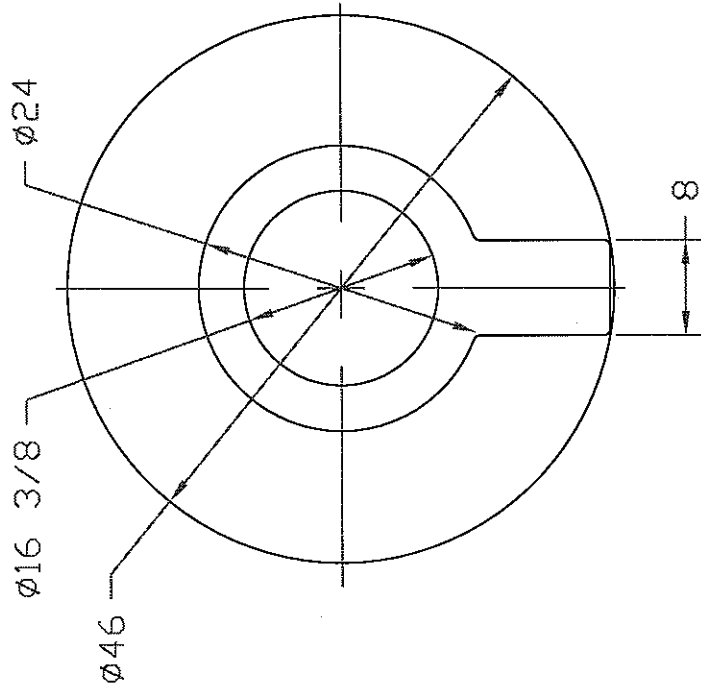
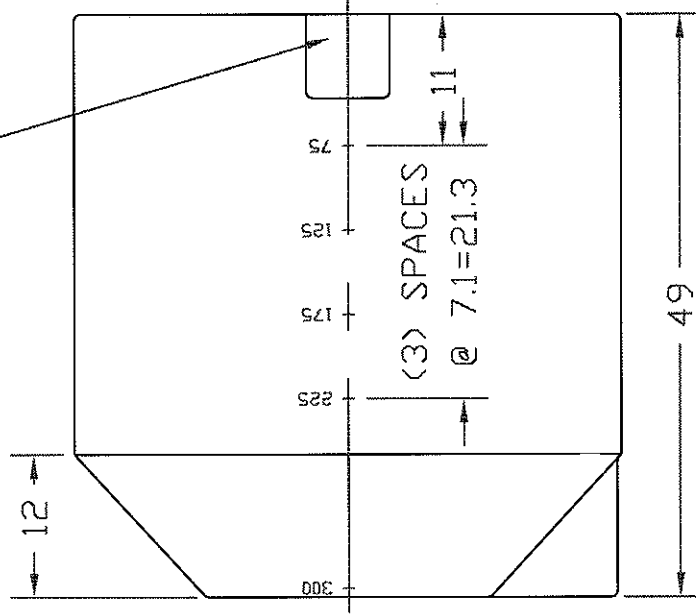


REVISIONS

ZONE	REV	DESCRIPTION	DATE	APPROVED
A	A	REDRAWN	16FEB97	

7 X 7 FLAT
(4) PLACES



NORWESCO
ST. BONIFACIUS, MN

305 GALLON VERTICAL TANK

JTP 16FEB97

SIZE FSCM NO.

A

DWG NO.

REV

A

SCALE 1/16

SHEET