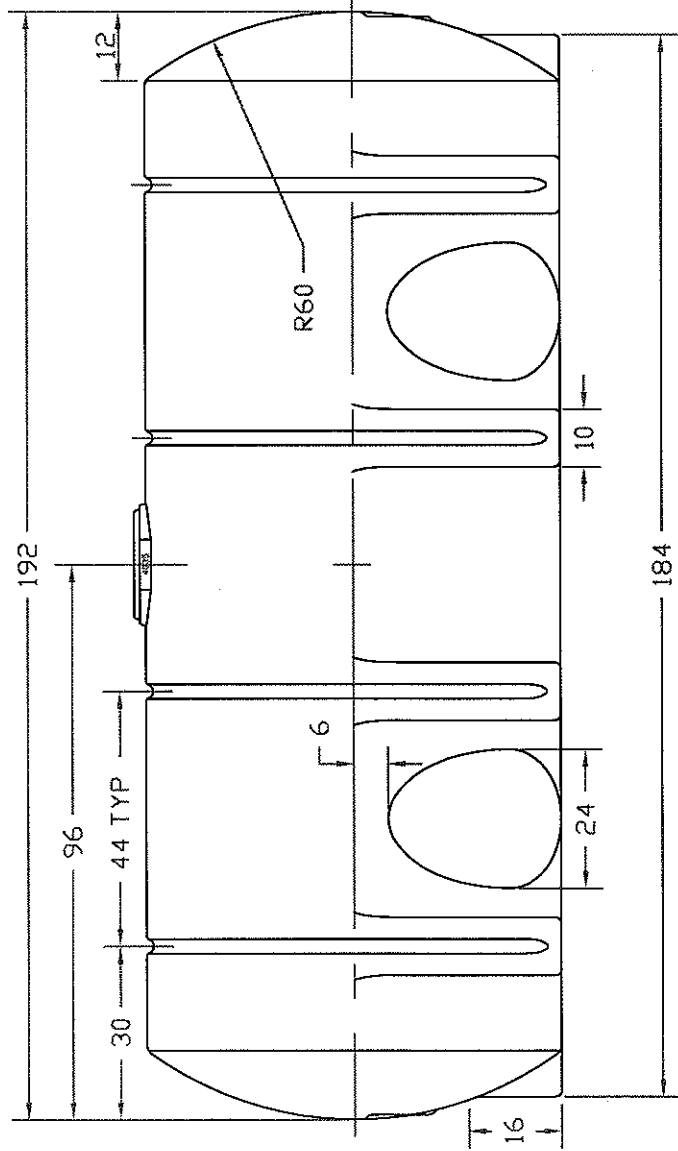
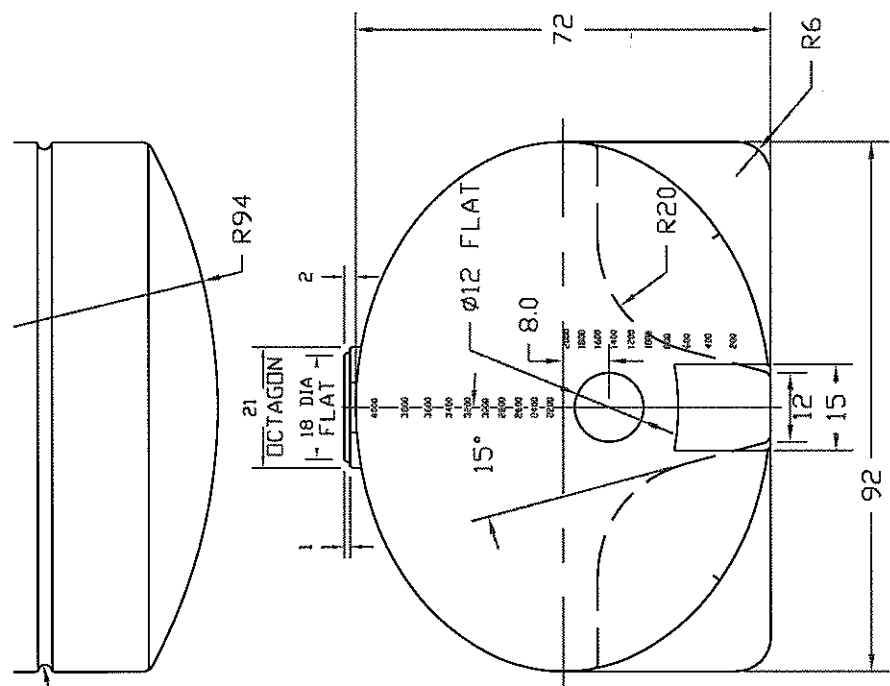
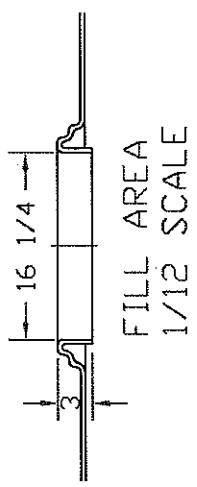


REVISIONS			
ZONE	REV	DESCRIPTION	DATE



- 68.8
- 63.5
- 99.5
- 55.9
- 32.7
- 49.6
- 46.7
- 43.8
- 41.0
- 38.3
- 35.5
- 32.8
- 30.0
- 27.2
- 24.2
- 21.2
- 17.9
- 14.5
- 10.8
- 6.5
- 0.0

NORWESCO
ST. BONIFACIUS, MN
4035 GALLON
ELLIPTICAL LEG TANK

JTP	06MAY99	SIZE B	FSCM NO.	DWG NO.	REV
SCALE 1/24				SHEET	