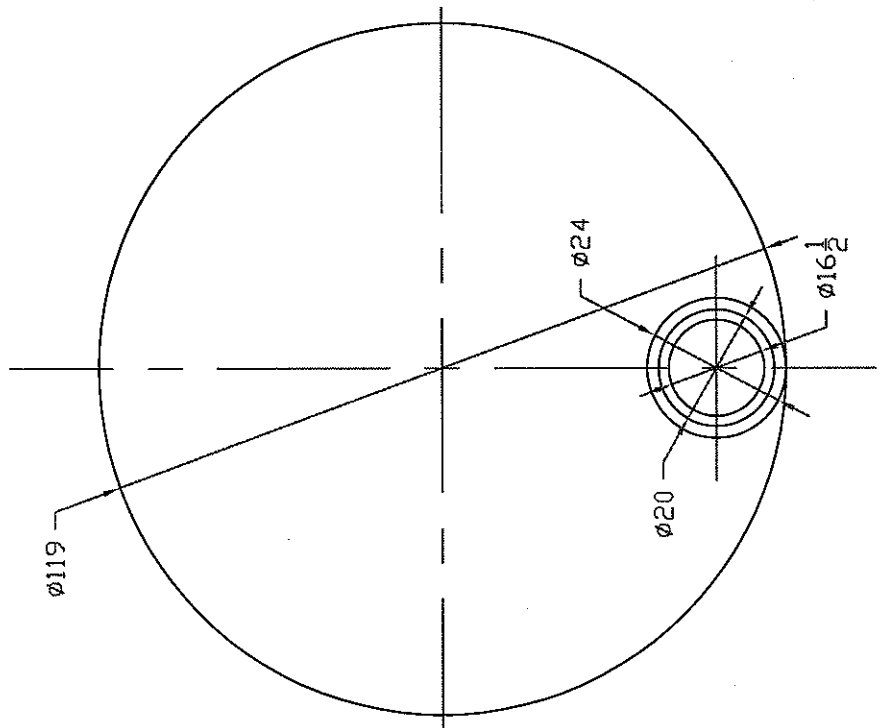
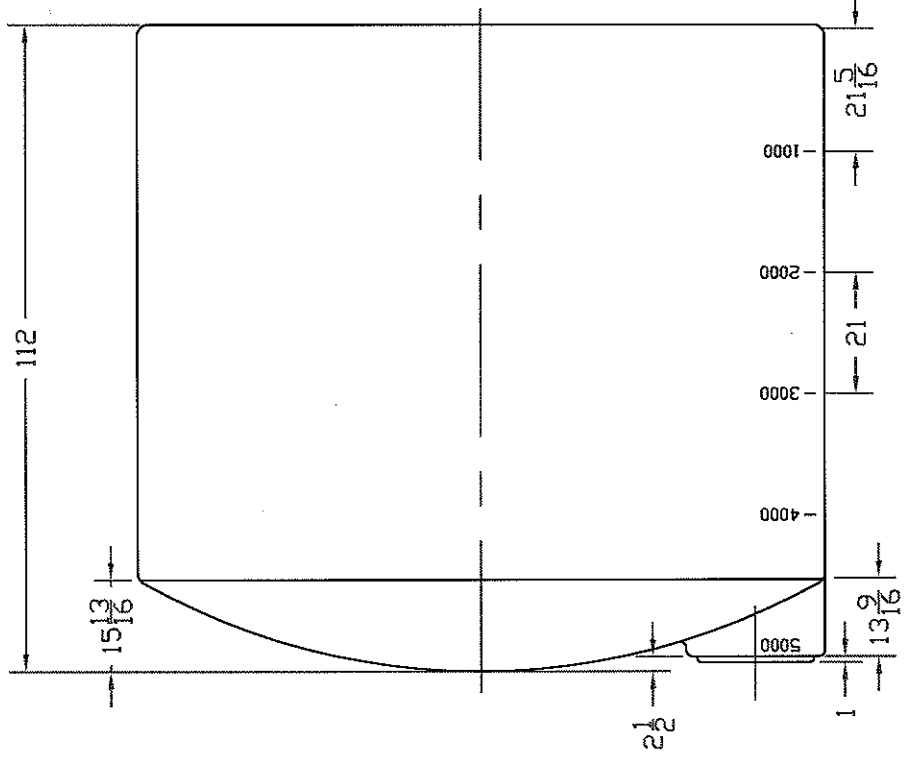


REVISIONS			DATE	APPROVED
ZONE	REV	DESCRIPTION		



NORWESCO

ST. BONIFACIUS, MN
 5000 GALLON VERTICAL
 WATER TANK X 120

JTP 13FEB04	SIZE B	FSCM NO.	DATE
			REV
			SHEET

SCALE 1/24