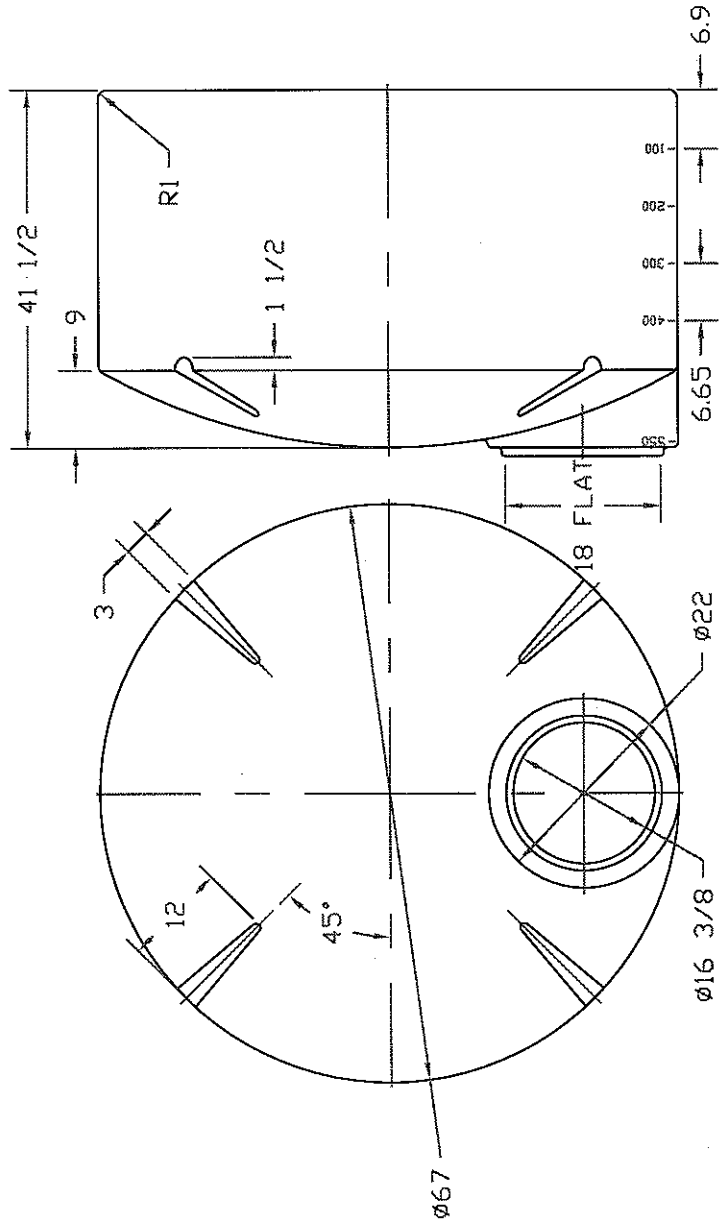


REVISIONS

ZONE	REV	DESCRIPTION	DATE	APPROVED
	B	REDRAWN	02 JAN 97	



NORWESCO
ST. BONIFACIUS, MN

550 GALLON VERTICAL
TANK

JTP	02JAN97	SIZE	FSCM NO.	DWG NO.	REV	SHEET
		B			B	
					SCALE 1/16	