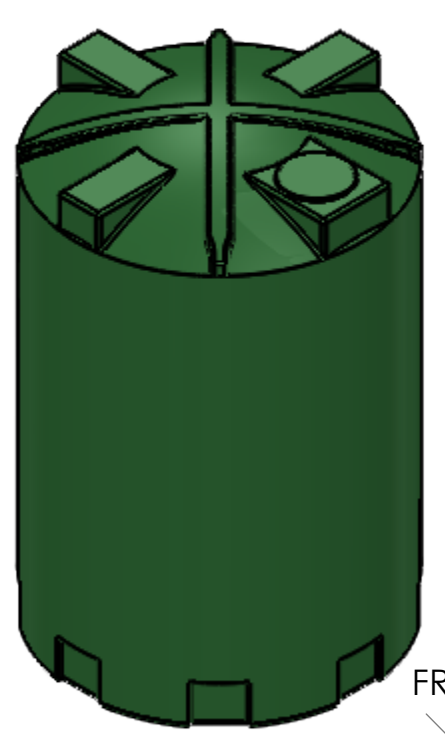
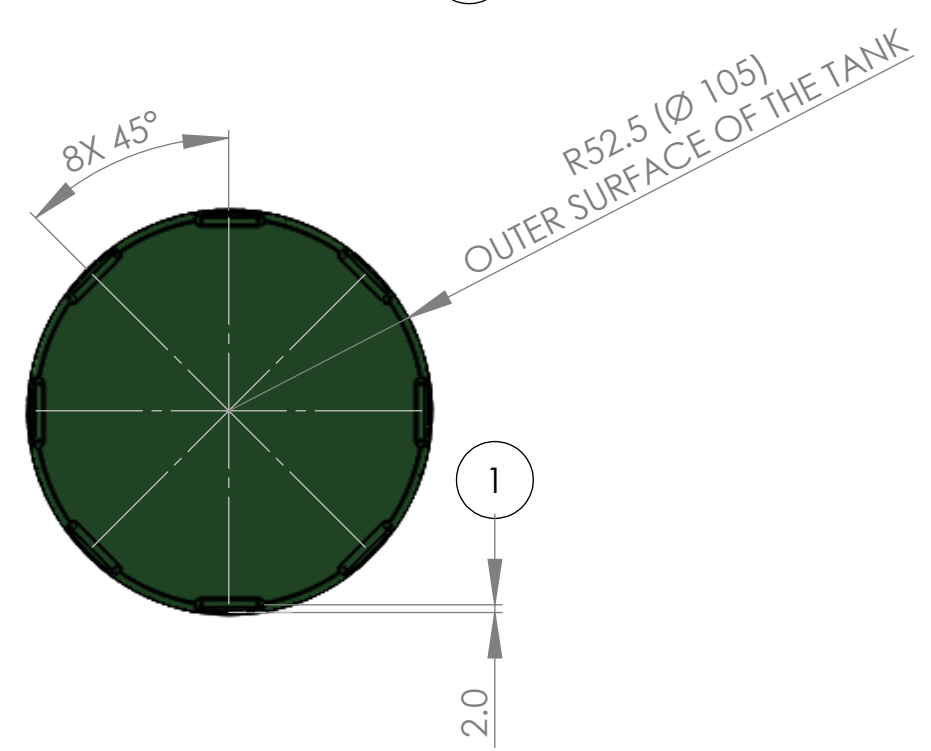
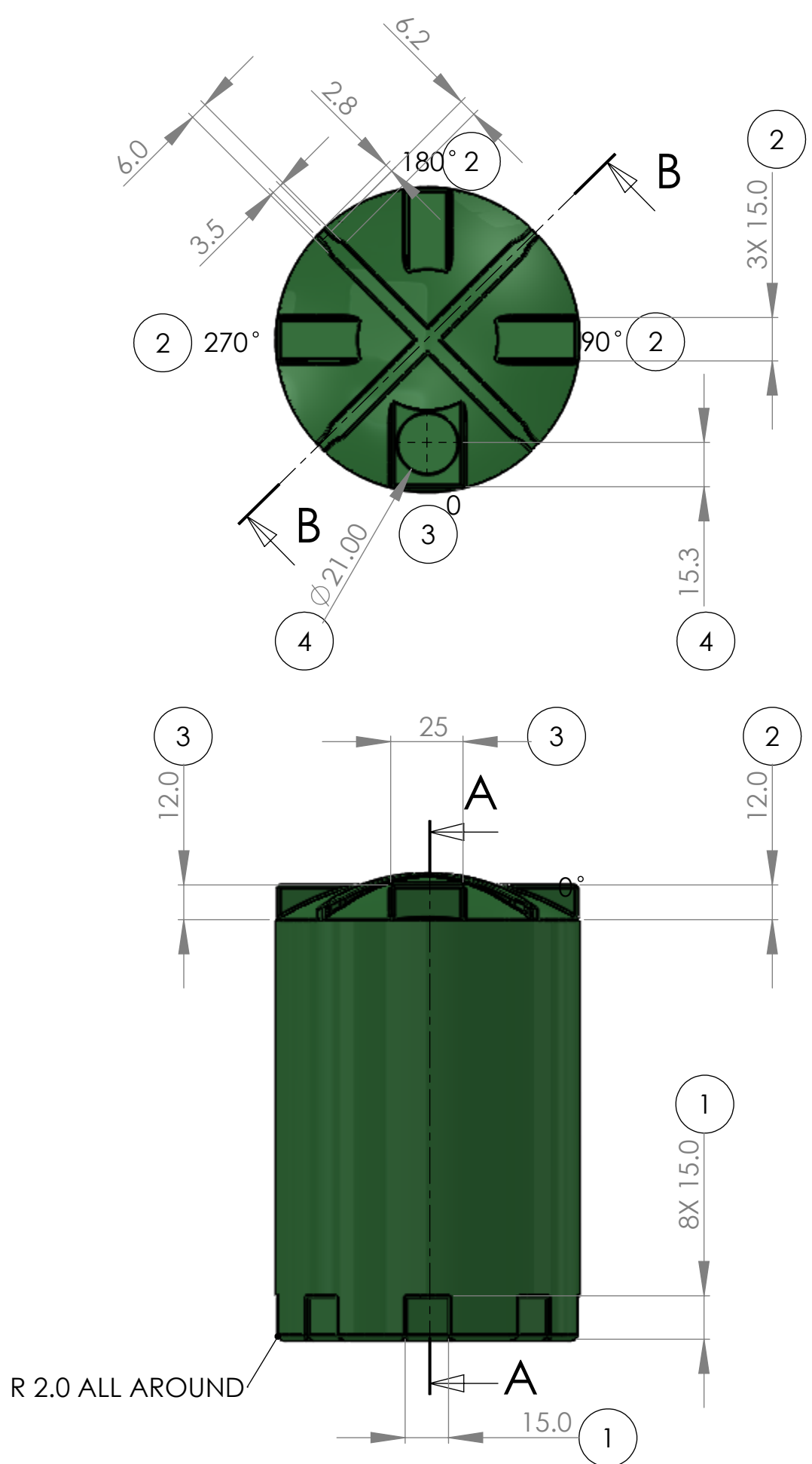
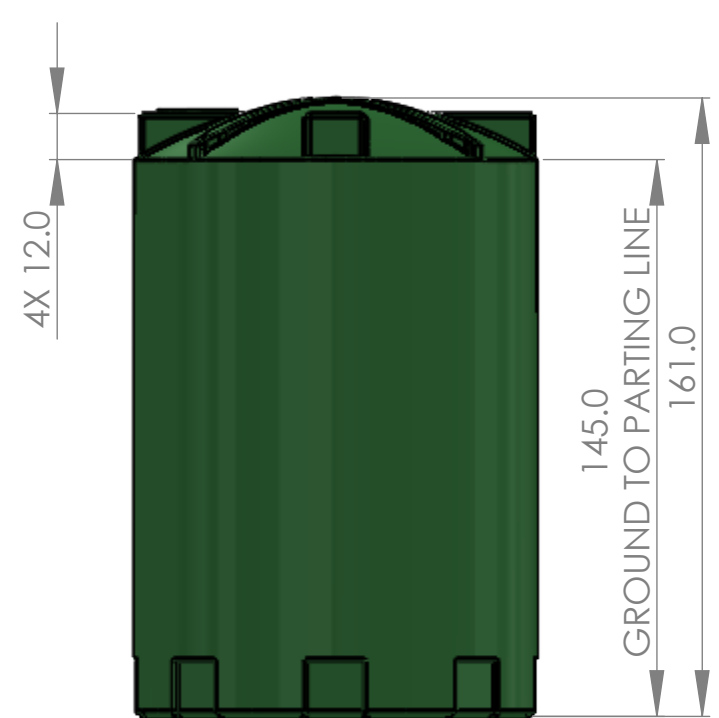


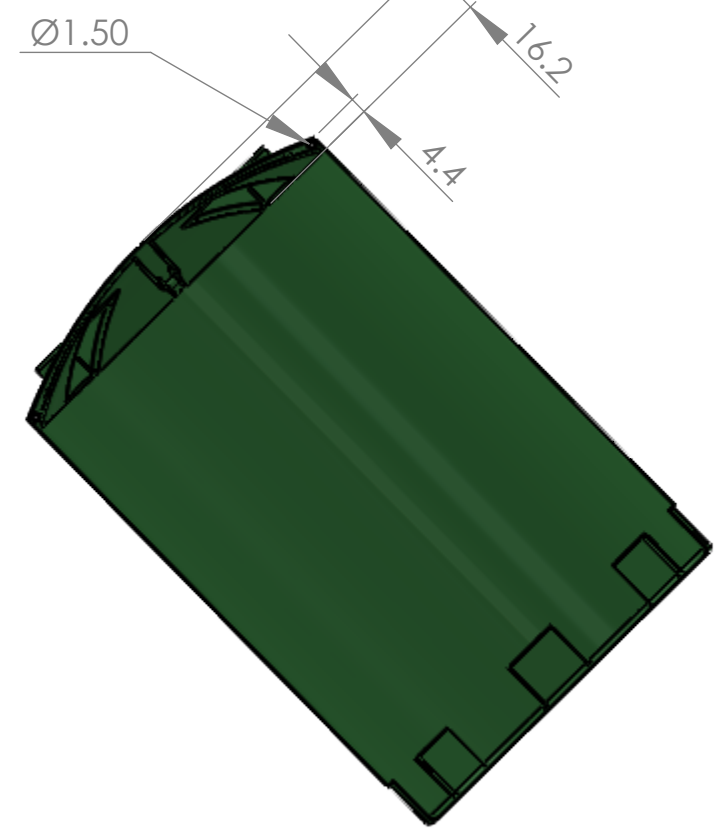
REVISIONS				
ZONE	REV.	DESCRIPTION	DATE	APPROVED
ALL	1	INITIAL DRAWING RELEASE	02/17/2014	DMC

NOTES:

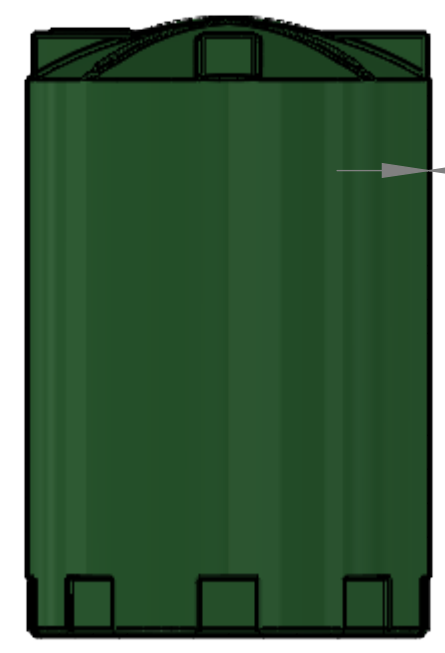
- 1 15.0" X 2.0" BOTTOM LAYOUT FLATS (8X).
 - 2 12" X 15" DOME FLATS (3X).
 - 3 12" X 25" MAIN DOME FLATS.
 - 4 16" MANWAY.
 - 5 FLUSH GALLON MARKERS.
- ALL DIMENSIONS ARE FINISHED PART DIMENSIONS.
WALL THICKNESS 0.375 INCHES.



FRONT



SECTION B-B



SECTION A-A

0.375 FINISHED PART

PROPRIETARY AND CONFIDENTIAL
THE INFORMATION CONTAINED IN THIS DRAWING IS THE SOLE PROPERTY OF SENOX CORPORATION. ANY REPRODUCTION IN PART OR AS A WHOLE WITHOUT THE WRITTEN PERMISSION OF SENOX CORPORATION IS PROHIBITED.

UNLESS OTHERWISE SPECIFIED: ALL DIMENSIONS ARE IN INCHES	DRAWN	NAME	DATE
TOLERANCES: .XX ± 0.30 .XXX ± 0.015 .XXXX ± 0.01 ANGLES ± 1 DEG	CHECKED	DMC	02-17-14
	ENG APPR.		
	MFG APPR.		
INTERPRET GEOMETRIC TOLERANCING PER: MATERIAL	Q.A.		
FINISH	COMMENTS:		
DO NOT SCALE DRAWING			

POLY-MART 16310 Bratton Lane #200
Austin, Tx 78728
Made in America by an American Company

TITLE:
5000 GALLON TANK

SIZE	DWG. NO.	REV
C	WRP-106	1

SCALE: 1:50 WEIGHT: SHEET 1 OF 1