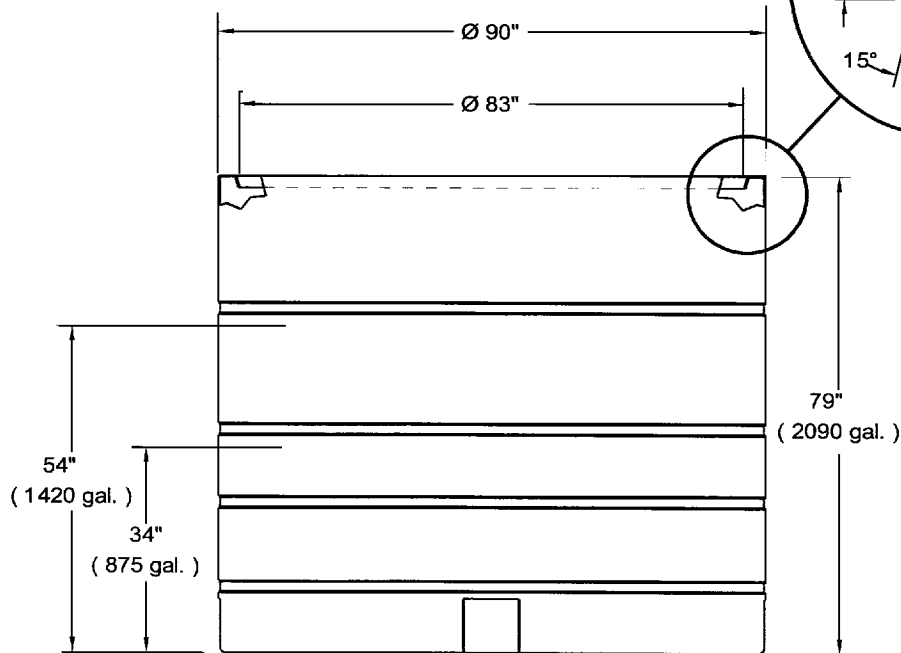
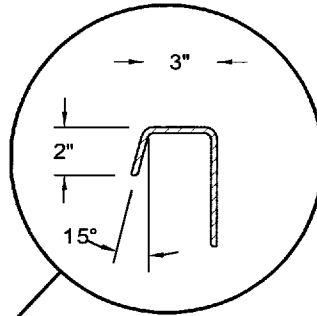
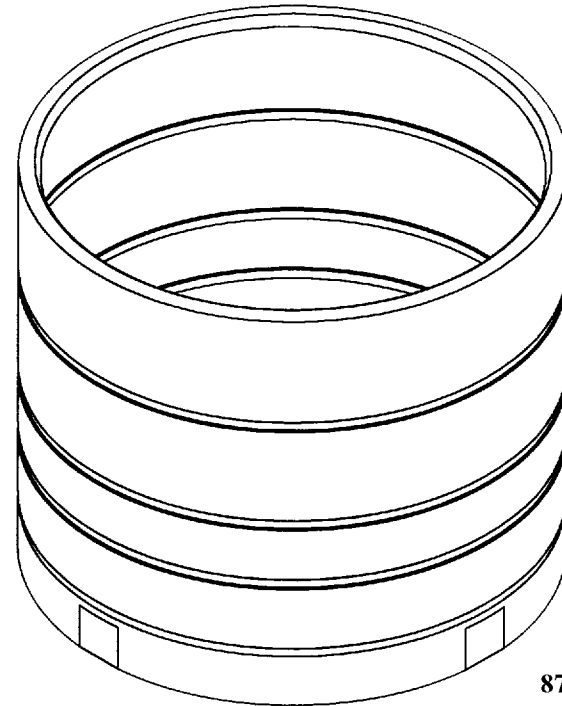
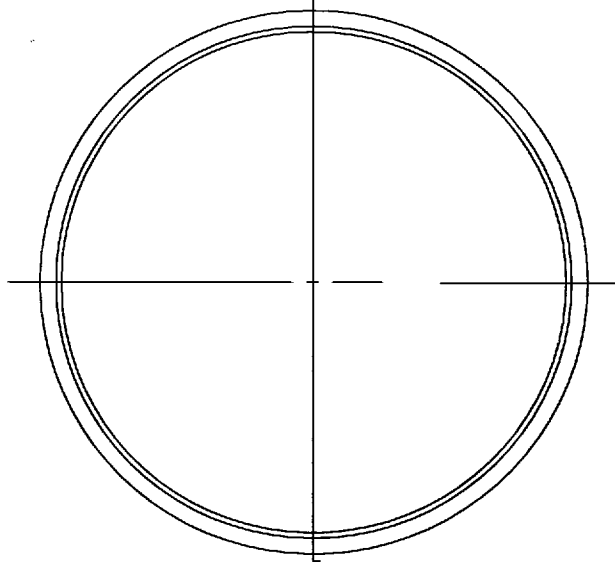


THIS DRAWING MAY NOT BE USED FOR ANY PURPOSE OTHER THAN BY THE OWNER. THE DRAWING & DESIGN ARE PROPERTY OF ROTONICS MANUFACTURING, INC. ALL DIMENSIONS SHOWN ARE OUTSIDE PART DIMENSIONS IN INCHES, AND MAY VARY DUE TO MATERIAL SHRINKAGE. SPECIFICATIONS ARE SUBJECT TO CHANGE WITHOUT NOTICE. GALLONS AND WEIGHTS ARE APPROXIMATE ONLY.



875 gal. - #6564
 1420 gal. - #6566
 2090 gal. - #6570

RMI-D
 6770 Brighton Blvd.
 Commerce City, CO 80022
 Phone: 303-227-9300
 Fax: 303-227-9308

RMI-G
 17038 S. Figueroa St.
 Gardena, CA 90248
 Phone: 310-327-5401
 Fax: 310-323-9567

ROTONICS MFG. INC.

6770 Brighton Boulevard
 Commerce City, CO 80022
 Phone: (303) 227-9300
 Fax: (303) 227-9308

Ø 90" - CONTAINMENT BASIN 875, 1420, & 2090 gal.

DRAWN BY: DPHAM	DESIGN BY:	DATE: 04/07/03	SCALE: 1/32	DWG. # S-1203	REV.	SHT. 1 of 1
--------------------	------------	-------------------	----------------	-------------------------	------	----------------