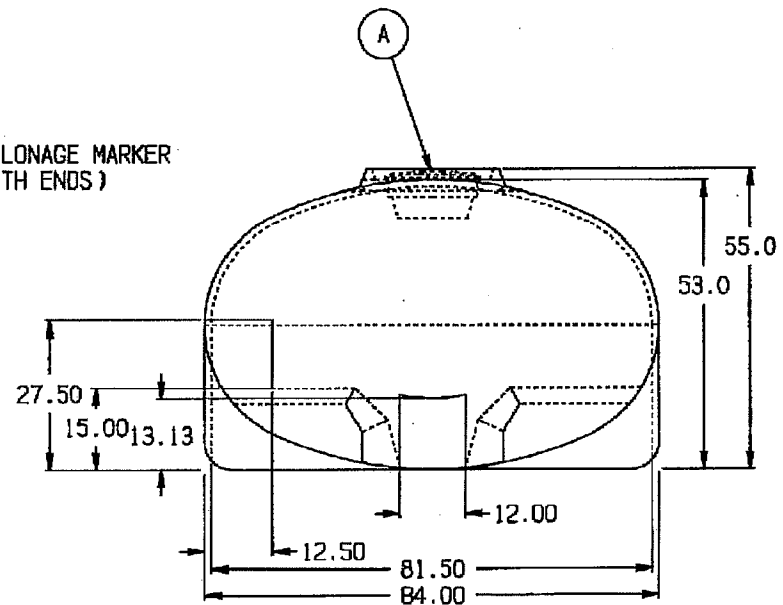


GALLONAGE MARKER
(BOTH ENDS)



THIS TANK TO BE SUPPLIED WITH NO HOLE CUTS OR FITTINGS.

A. 18" PE THREADED-VENTED MANWAY W/15" ACCESS [P/N 34300012L]

(all dimensions in inches)

BASE FITTINGS TO BE LEFT INSTALLED AT TIME OF SHIPMENT PER SII PROCEDURE

PART # TANK: 1002300C--

2000 GALLON ELLIPTICAL LEG TANK

REF#: 00000

08/18/05