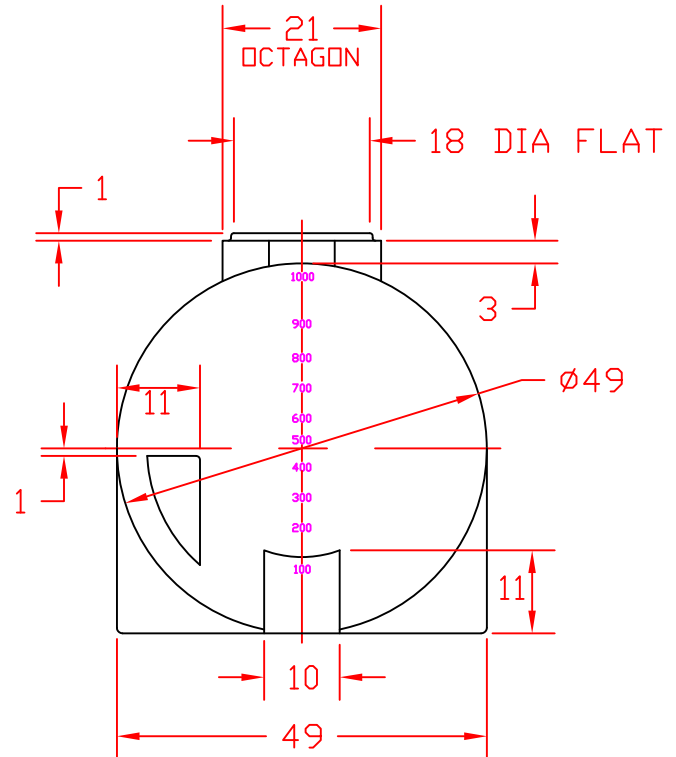
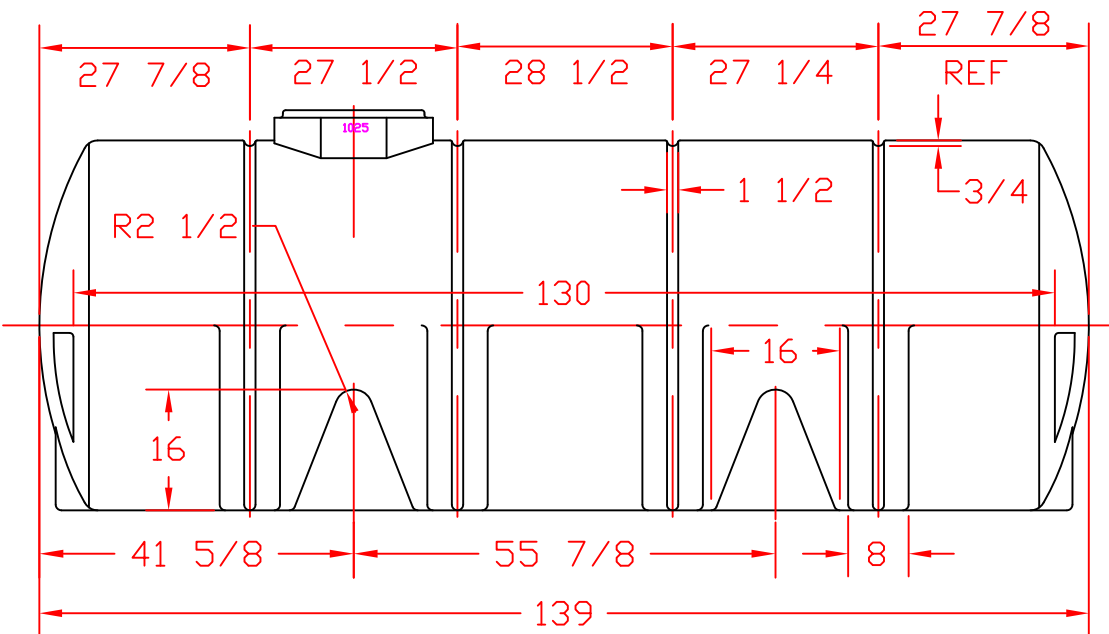


REVISIONS

ZONE	REV	DESCRIPTION	DATE	APPROVED
	C	REDRAWN	06MAY97	



		ST. BONIFACIUS, MN		
		1025 GALLON HORIZONTAL STORAGE TANK		
JTP	06MAY97	SIZE <b>A</b>	FSCM NO.	DWG NO.
		SCALE 1/24		SHEET
		REV <b>C</b>		