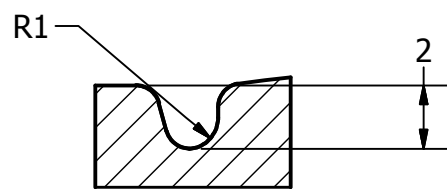



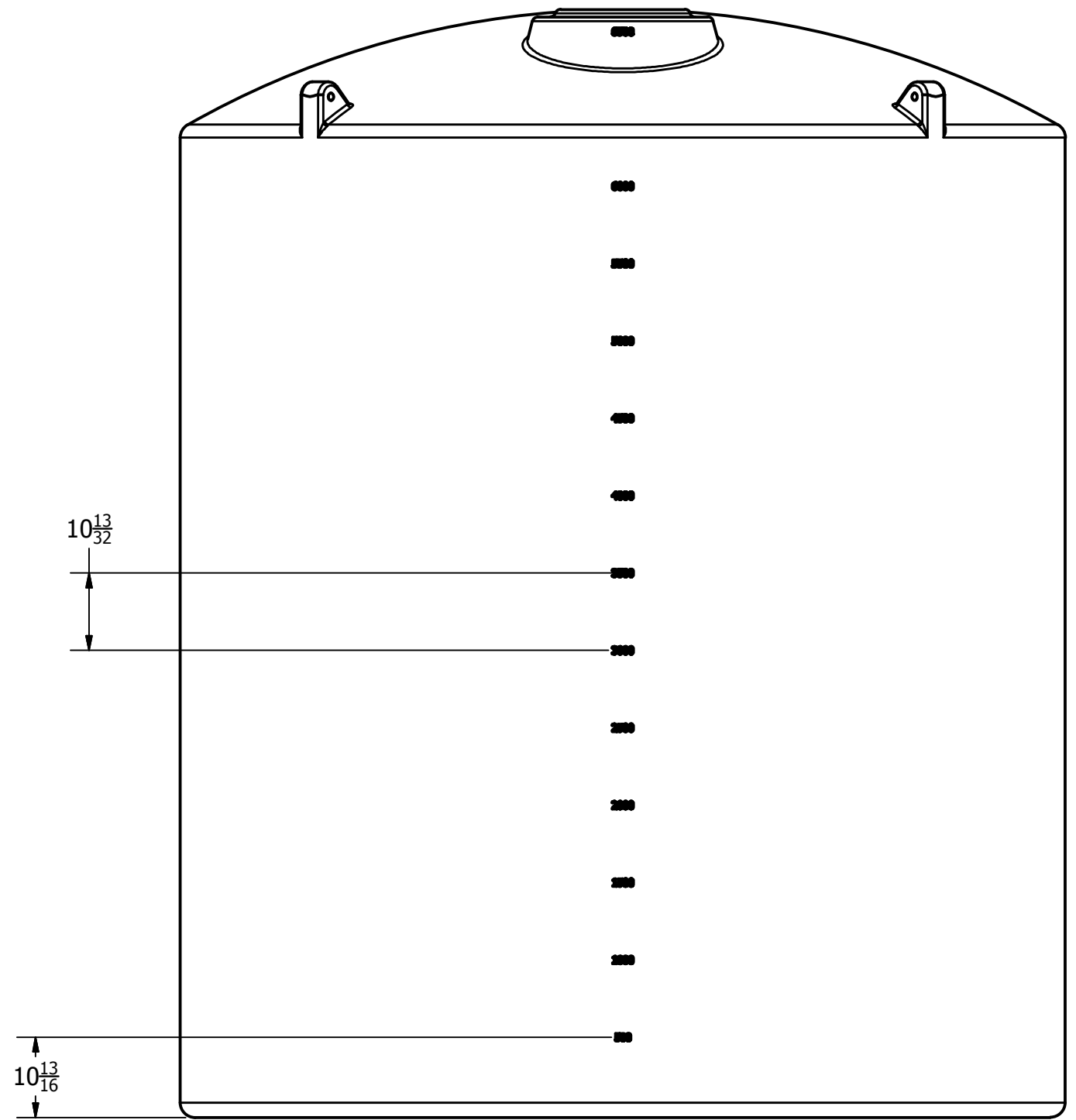
SECTION A-A
SCALE 1:12




SECTION B-B
SCALE 1:6

FOB HANFORD, CA

REVISION HISTORY			
REV	DESCRIPTION	DATE	AUTHOR
A	REDRAWN	6/28/2013	Michael Holden
DRAWN	Jerry Paulson	8/26/1994	 NORWESCO, INC. SAINT BONIFACIUS, MN TITLE 6500 GALLON VERTICAL TANK
CHECKED			
QA			
MFG			
APPROVED			
	SIZE	DWG NO	REV
	B		A
	SCALE: 1/16		SHEET 1 OF 2



DRAWN Jerry Paulson	8/26/1994			
CHECKED		NORWESCO, INC. SAINT BONIFACIUS, MN		
QA		TITLE		
MFG		6500 GALLON VERTICAL TANK		
APPROVED				
		SIZE B	DWG NO	REV A
		SCALE: 1/16		SHEET 2 OF 2