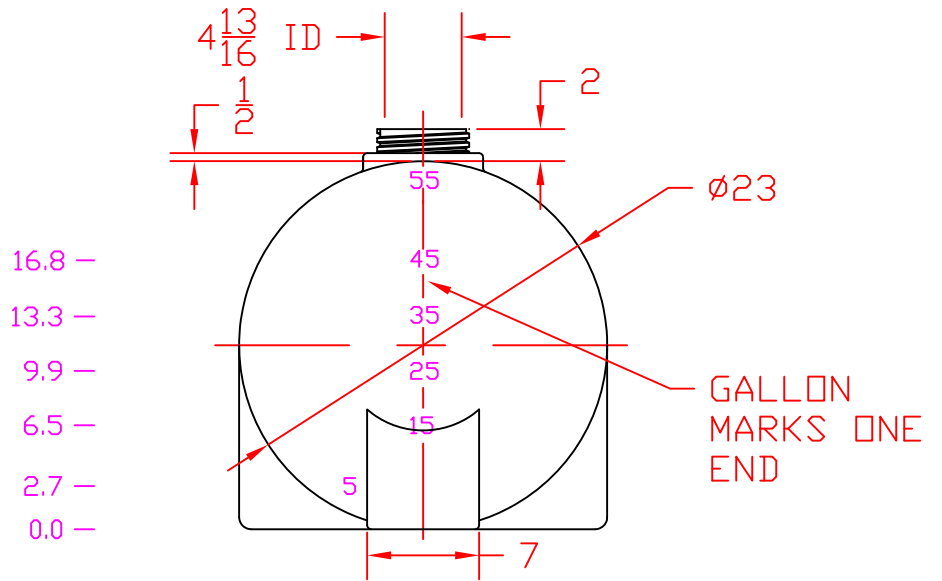
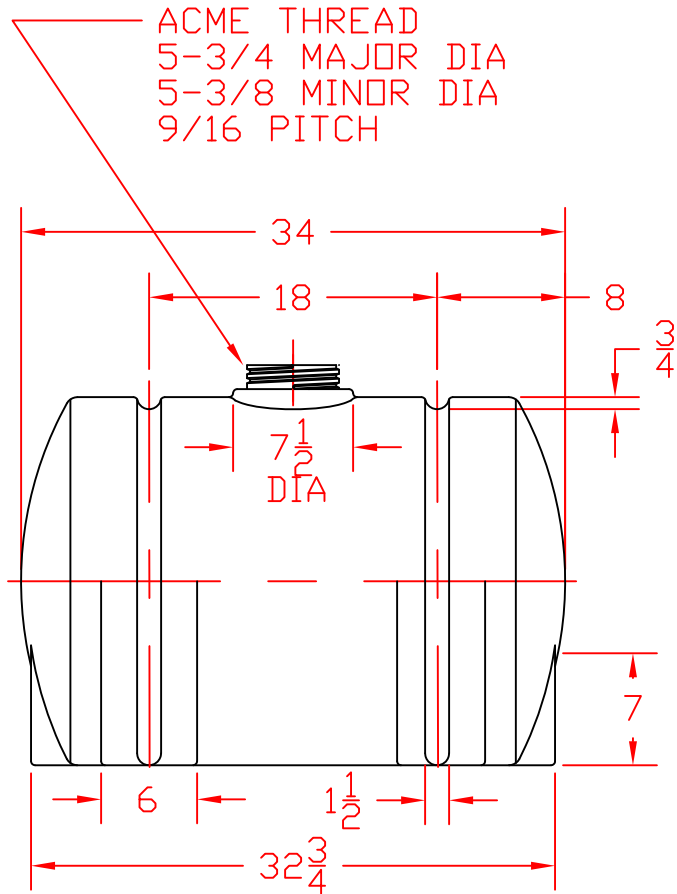


REVISIONS				
ZONE	REV	DESCRIPTION	DATE	APPROVED



JTP 25AUG03				
		ST. BONIFACIUS, MN		
SCALE 1/12		55 GALLON HORIZONTAL TANK		
		SIZE A	FSCM NO.	DWG NO. 41873
		SHEET		REV