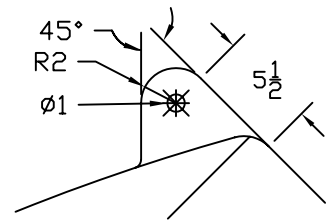
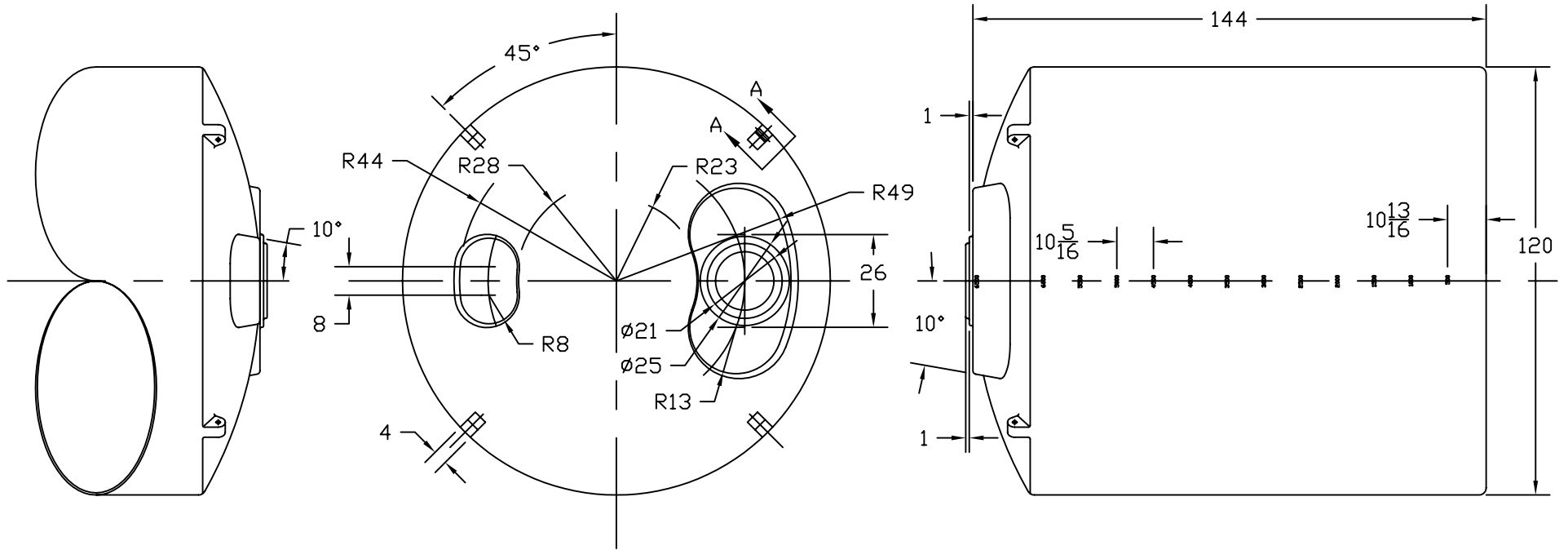


REVISIONS				
ZONE	REV	DESCRIPTION	DATE	APPROVED



VIEW A-A
1/8 SCALE

JTP 22AUG05				
		ST. BONIFACIUS, MN 6500 GALLON VERTICAL STORAGE TANK X 120 DIA		
SIZE B	FSCM NO.	DWG NO.	REV	
SCALE 1/32		SHEET		