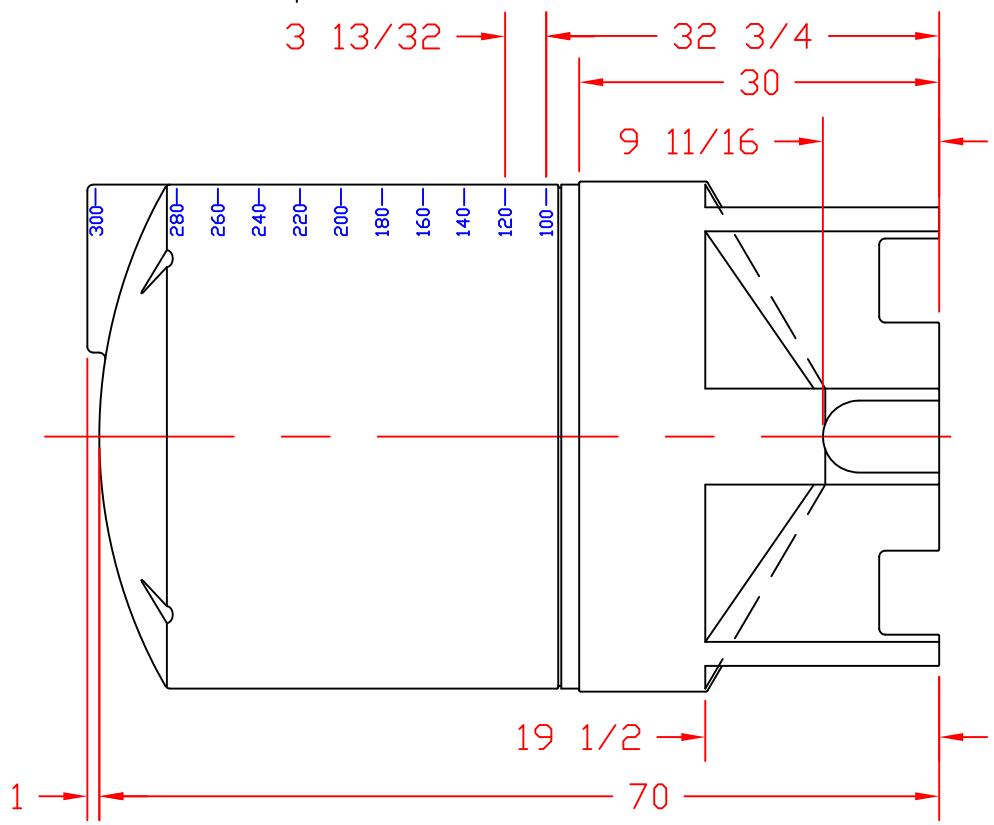
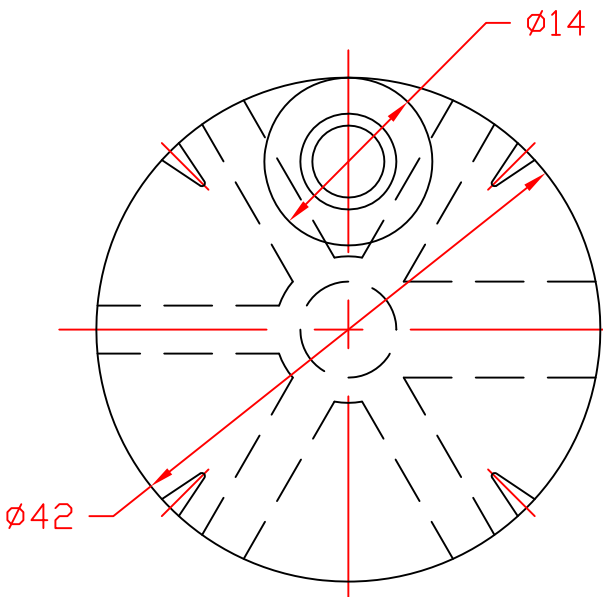


REVISIONS				
ZONE	REV	DESCRIPTION	DATE	APPROVED
	A	WAS 300	30 JUN 99	



		ST. BONIFACIUS, MN		
		(A) 310 GALLON CONE BOTTOM TANK WITH STAND		
JTP	08APR97	SIZE A	FSCM NO.	DWG NO.
		SCALE 1/16	SHEET	