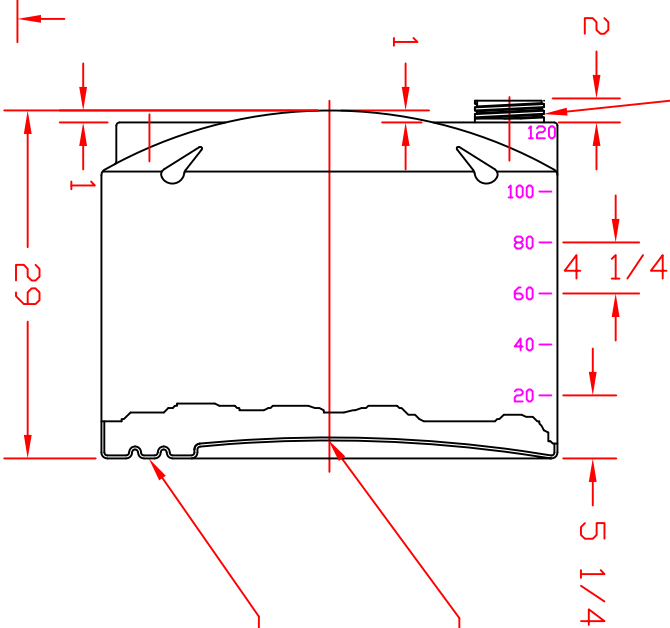
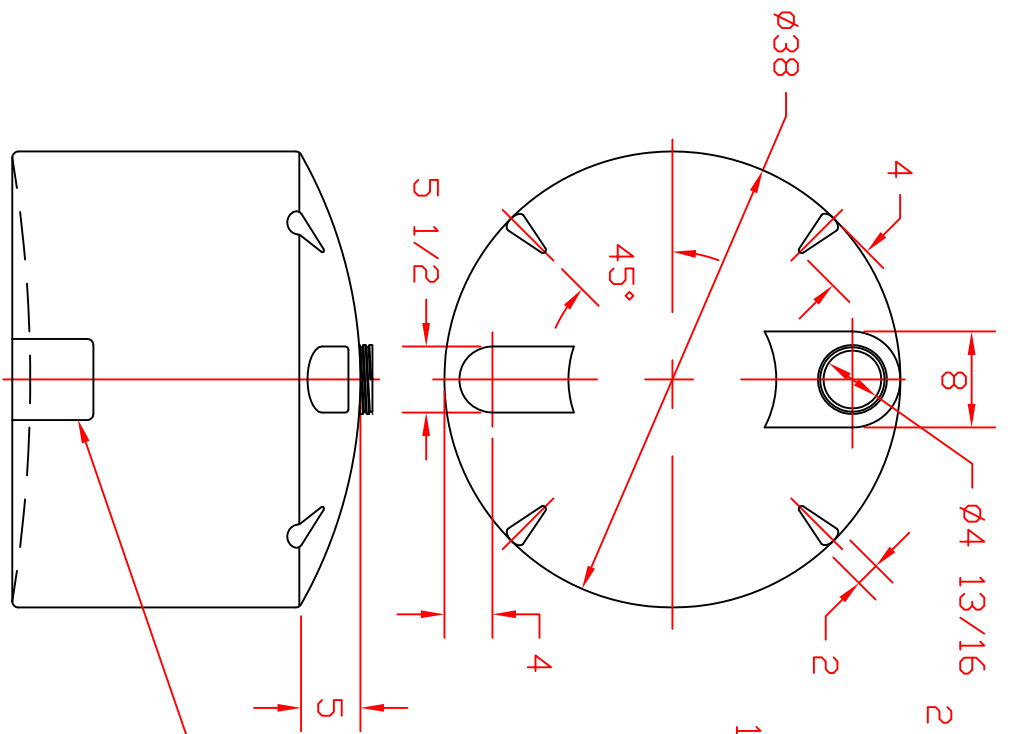


ACME THREAD
 5-3/4 MAJOR DIA
 5-3/8 MINOR DIA
 9/16 PITCH



6 3/4 X 6 3/4 FLAT

1 1/2 CONCAVE
 SUMP WITH 4-SEGMENT
 LOCATOR FOR STANDPIPE

REVISIONS

ZONE	REV	DESCRIPTION	DATE	APPROVED
	B	REDRAWN	13JAN97	
	C	LID THREAD REVISED	09FEB00	
	D	WAS MINI BULK TANK	15AUG11	

 ST. BONIFACIUS, MN		120 GALLON VERTICAL TANK	
JTP	13JAN97	SIZE	FSCM NO.
		A	
SCALE 1/16		DWG NO.	REV
			D
		SHEET	