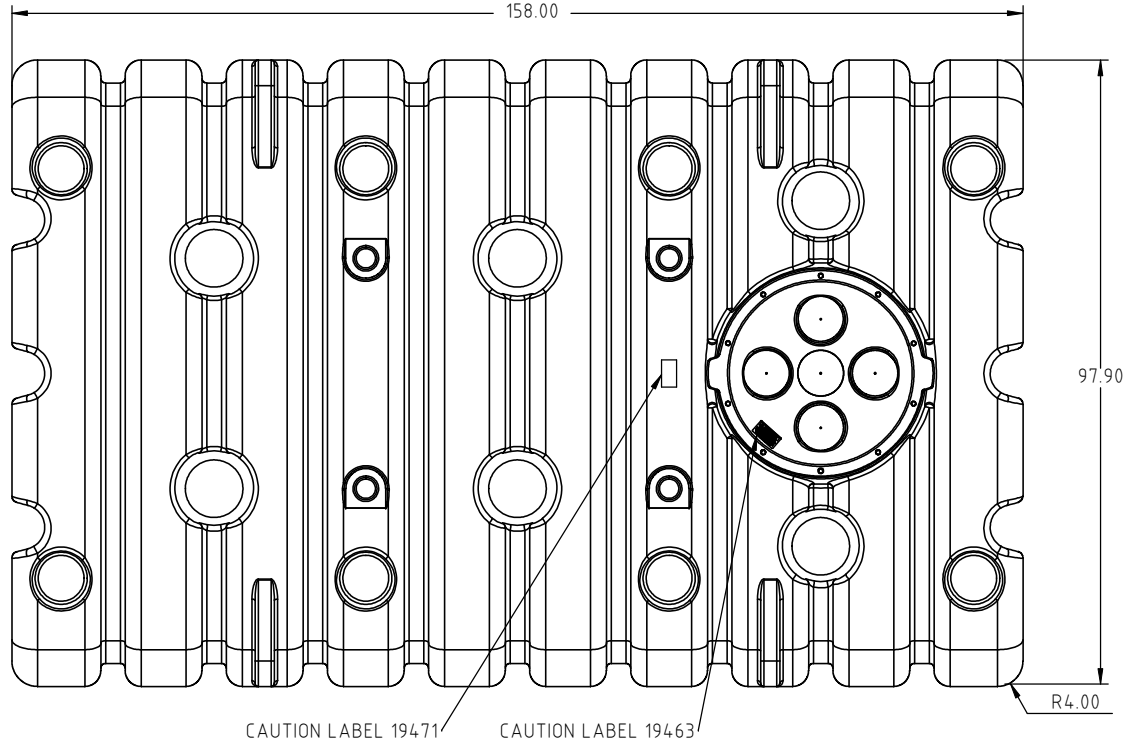


Copyright. All information furnished within this document, electronic file or design correspondence is the property of Den Hartog Industries, Inc. and shall not be used, disclosed to others or copied without the expressed written consent of Den Hartog Industries, Inc.

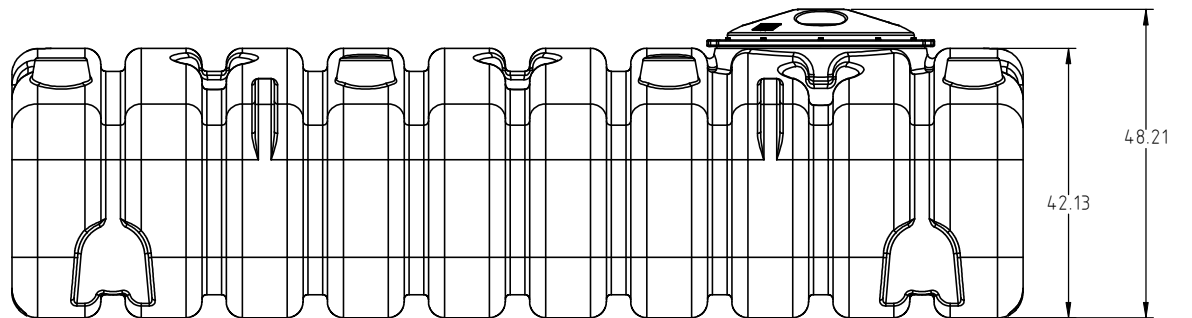
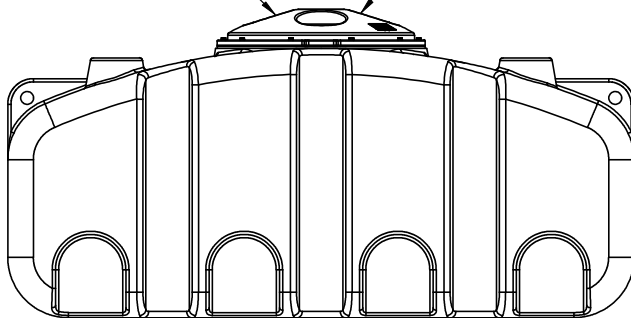
CAUTION LABEL 19463



CAUTION LABEL 19471



CISTERN BURIAL LID AND GASKET ACT-16053  
SEE PRINT 19481 FOR LID INSTALLATION GUIDELINES



REV	DESCRIPTION	BY / DATE	CCN	DRAWN / DATE ADH 4/8/10	MATERIAL
				APPRD. / DATE REH 4/14/10	
ALL DIMENSIONS ARE IN DECIMAL INCHES TOLERANCES UNLESS OTHERWISE SPECIFIED		THIRD ANGLE PROJECTION ANSI 14.5M	SHOT WEIGHT:	NOTES:	
POLYETHYLENE			SHIPPING WEIGHT: 917.00 LBS		
±1% @ 68°F			FINISH:		



**Den Hartog**  
INDUSTRIES, INC.

Acra Roto-Mold Injection Molding Blow Molding Sowjoy

4010 HOSPERS DRIVE S. BOX 425, HOSPERS, IOWA 51238-0425

DESCRIPTION	2000 GALLON LOW PROFILE CISTERN WITH BURIAL LID	
SCALE	N.S.	PART NO. ACT2000-LPB