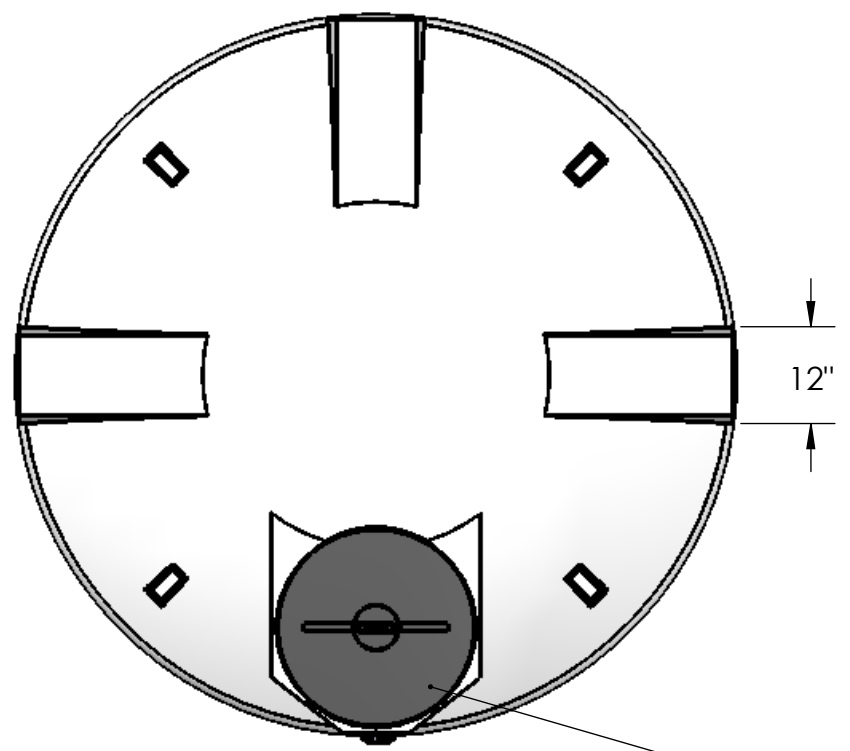


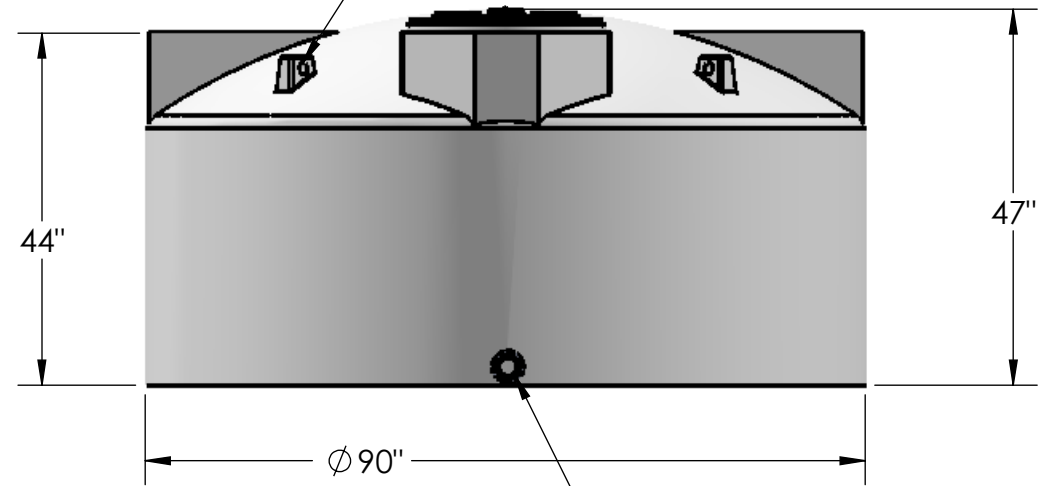
D
C
B
A

D
C
B
A



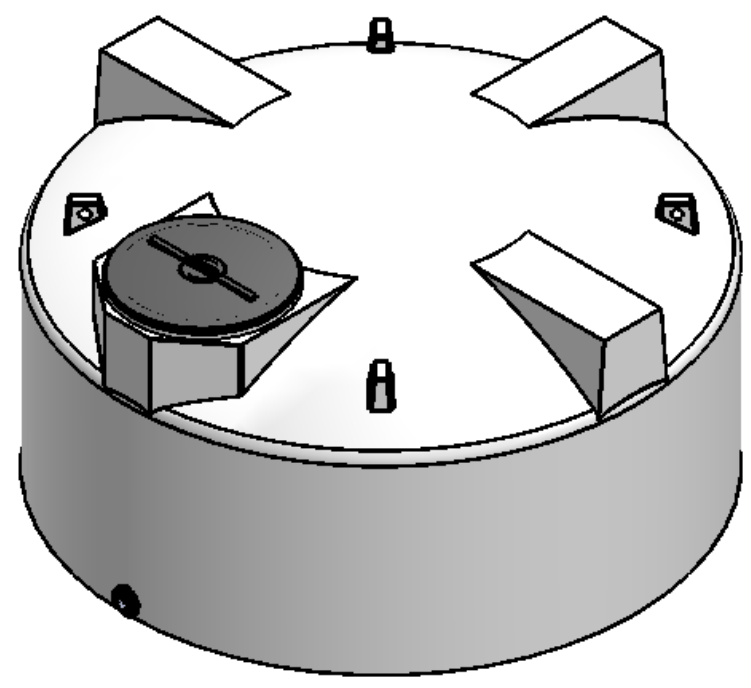
24" THREADED LID
W/4" BREATHER

1 1/2" LIFTING
EYE (4) PLCS.



2" NPT
POLYPRO FITTING

PROPRIETARY AND CONFIDENTIAL
THE INFORMATION CONTAINED IN THIS
DRAWING IS THE SOLE PROPERTY OF
<INSERT COMPANY NAME HERE>. ANY
REPRODUCTION IN PART OR AS A WHOLE
WITHOUT THE WRITTEN PERMISSION OF
<INSERT COMPANY NAME HERE> IS
PROHIBITED.



NOTES:

1. MATERIAL: HDPE
2. WEIGHT: 145 LBS. STD. RATED 1.5 SG.
195 LBS. HD. RATED 2.0 SG.

| | | | | | | | |
|-------------|---------|---|----------------|-------------|---------|--|---------|
| | | UNLESS OTHERWISE SPECIFIED: | | NAME | DATE | | |
| | | DIMENSIONS ARE IN INCHES TOLERANCES: FRACTIONAL ± ANGULAR: MACH ± BEND ± TWO PLACE DECIMAL ± THREE PLACE DECIMAL ± | | DRAWN | EBW | | 7-10-14 |
| | | INTERPRET GEOMETRIC TOLERANCING PER: | | CHECKED | | | |
| | | MATERIAL | | ENG APPR. | | | |
| | | FINISH | | MFG APPR. | | | |
| NEXT ASSY | USED ON | | | Q.A. | | | |
| APPLICATION | | DO NOT SCALE DRAWING | | COMMENTS: | | | |
| | | | | | | TITLE: 1100 GALLON VERT. TANK | |
| | | SIZE | DWG. NO. | | | REV | |
| | | B | 1100 VT | | | | |
| | | | | SCALE: 1:24 | WEIGHT: | SHEET 1 OF 1 | |