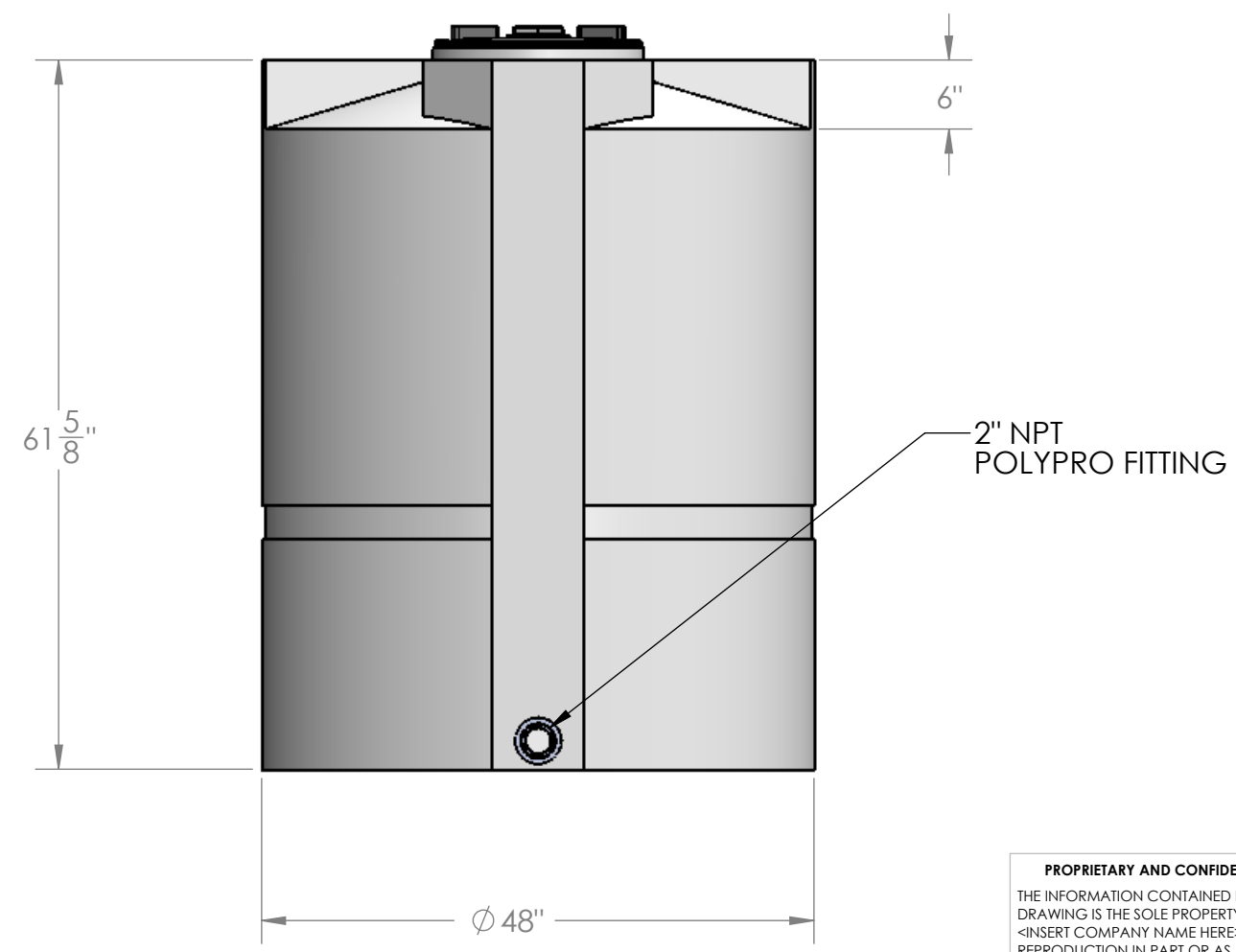
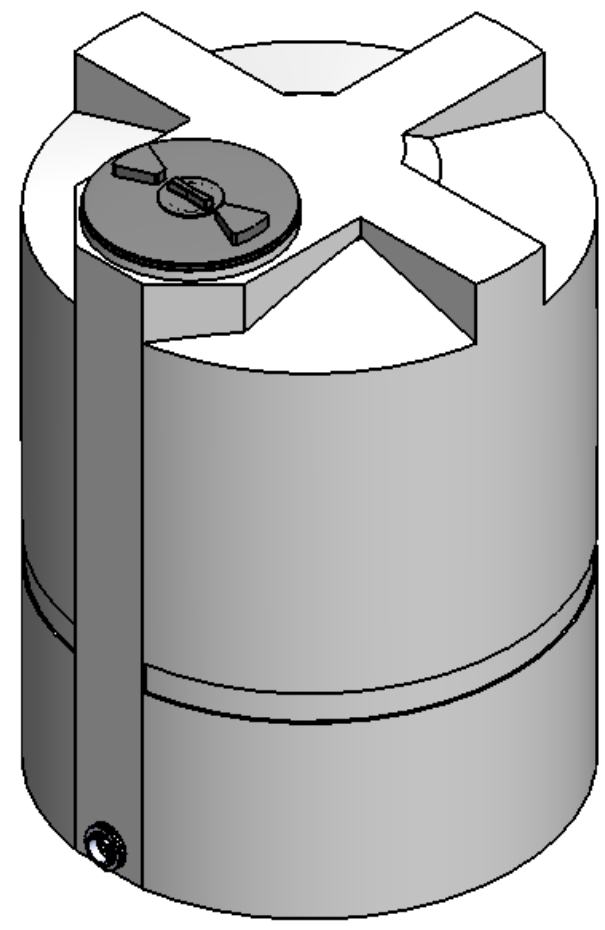
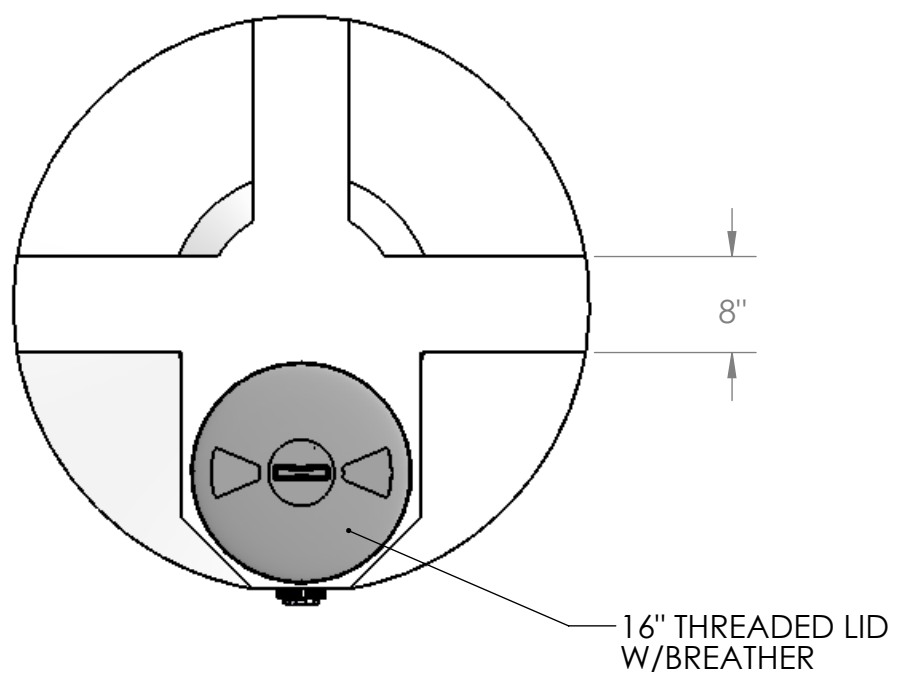


8 7 6 5 4 3 2 1

D  
C  
B  
A

D  
C  
B  
A



NOTES:

1. MATERIAL: HDPE
2. WEIGHT: 80 LBS.
3. RATED: 2.0 S.G.

**PROPRIETARY AND CONFIDENTIAL**  
 THE INFORMATION CONTAINED IN THIS DRAWING IS THE SOLE PROPERTY OF <INSERT COMPANY NAME HERE>. ANY REPRODUCTION IN PART OR AS A WHOLE WITHOUT THE WRITTEN PERMISSION OF <INSERT COMPANY NAME HERE> IS PROHIBITED.

		UNLESS OTHERWISE SPECIFIED:		NAME	DATE	CUSTOM ROTO-MOLDING, INC.	
		DIMENSIONS ARE IN INCHES TOLERANCES: FRACTIONAL ± ANGULAR: MACH ±    BEND ± TWO PLACE DECIMAL ± THREE PLACE DECIMAL ±		DRAWN	EBW	3-18-11	TITLE:
		INTERPRET GEOMETRIC TOLERANCING PER:		CHECKED			450 GALLON VERTICAL TANK
		MATERIAL		ENG APPR.			
NEXT ASSY	USED ON	FINISH		MFG APPR.			SIZE
APPLICATION		DO NOT SCALE DRAWING		Q.A.			DWG. NO.
				COMMENTS:			REV
						SCALE: 1:24 WEIGHT:	
						SHEET 1 OF 1	

8 7 6 5 4 3 2 1