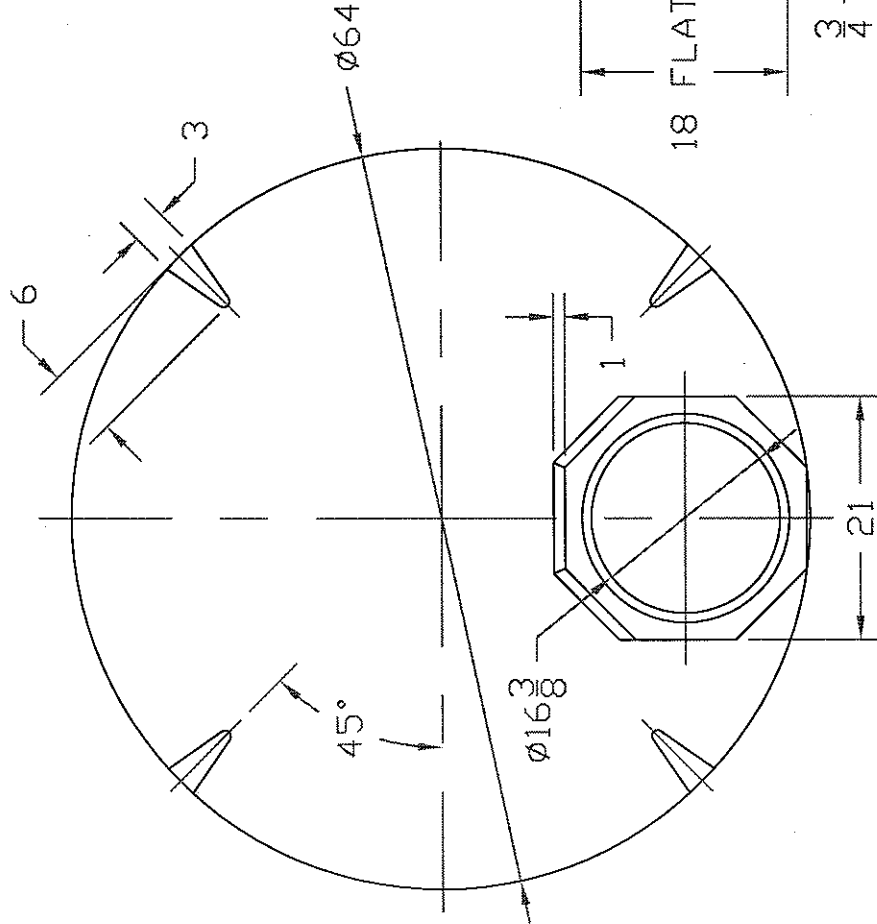
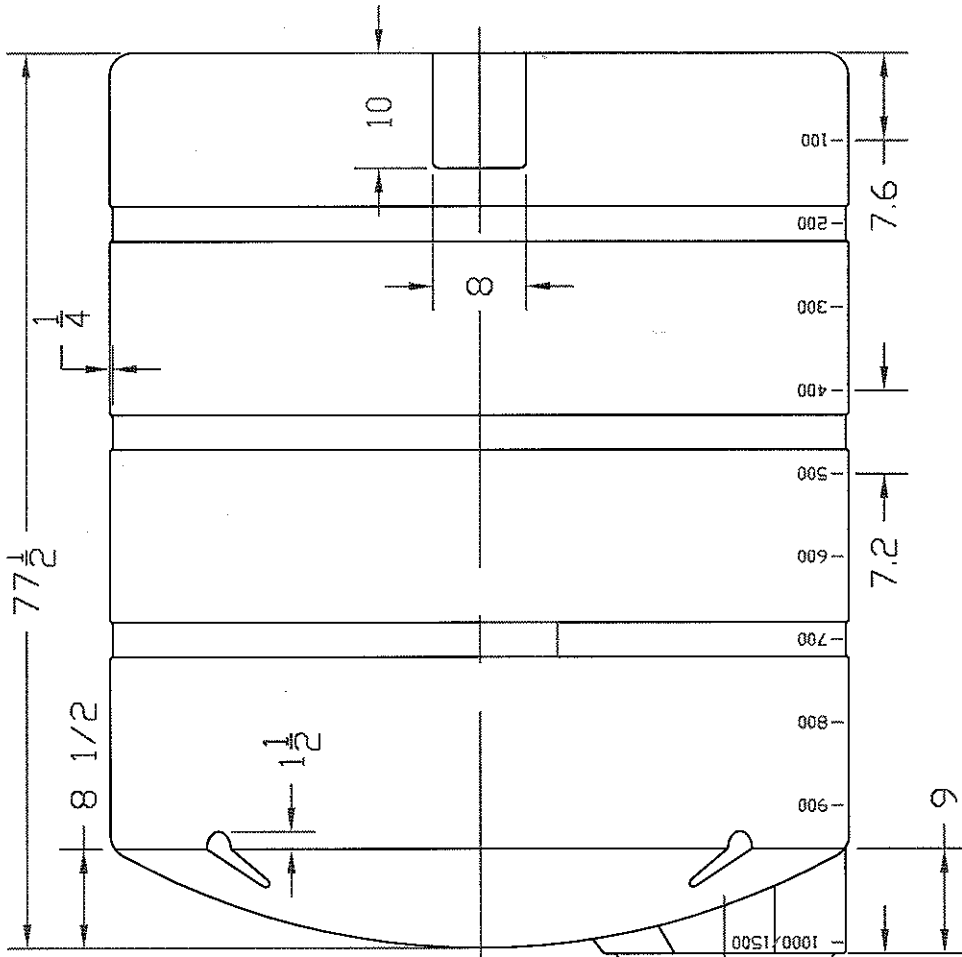


REVISIONS

ZONE	REV	DESCRIPTION	DATE	APPROVED
	A	REDRAWN	09JAN97	



NORWESCO
ST. BONIFACIUS, MN

1000 GALLON VERTICAL TANK

JTP 09JAN97

SIZE FSCM NO.

A

DWG NO.

SCALE 1/16

SHEET

REV

A