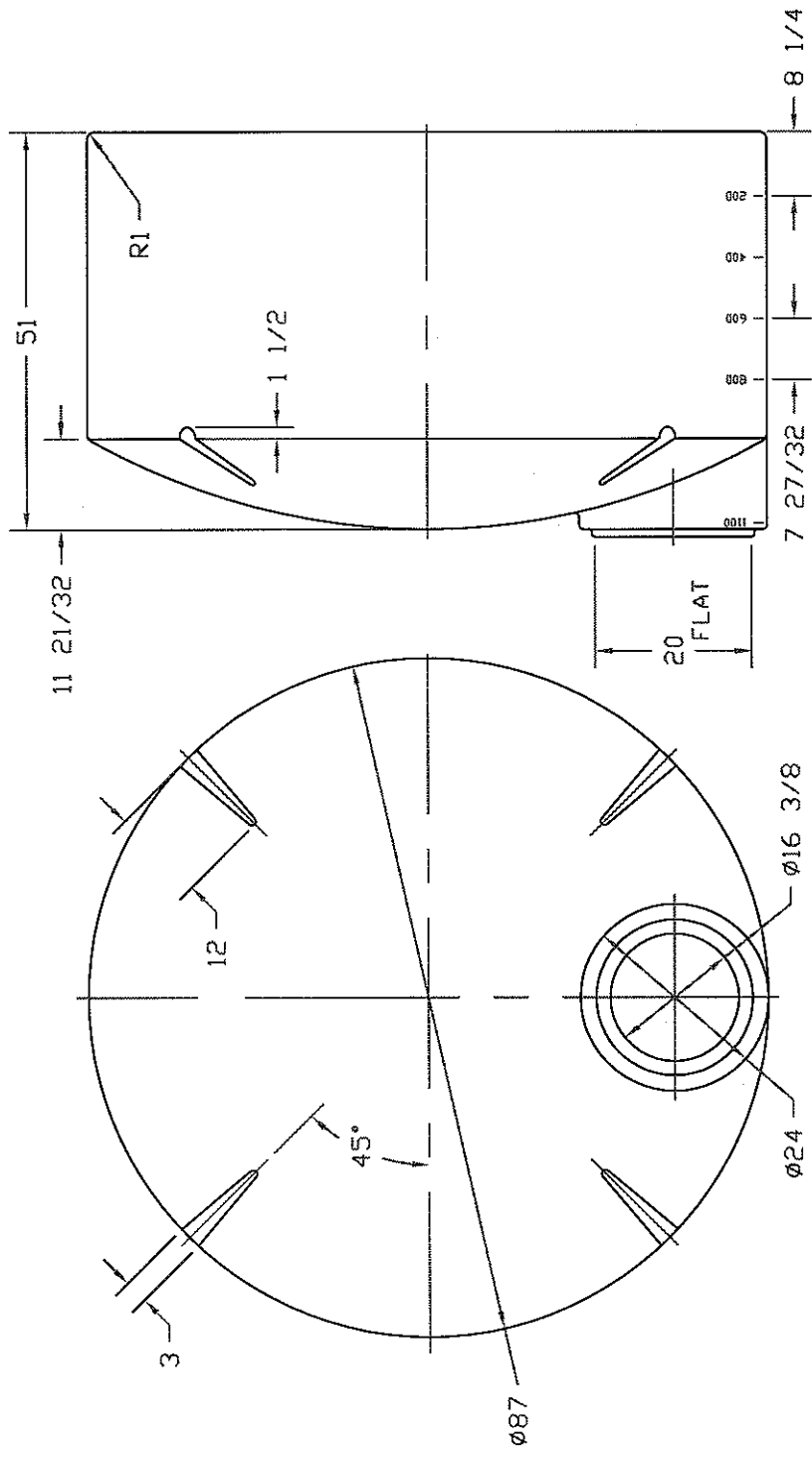


REVISIONS		
ZONE	REV	DESCRIPTION
	C	REDRAWN
		DATE
		02 JAN 97
		APPROVED



NORWESCO		ST. BONIFACIUS, MN	
1100 GALLON VERTICAL TANK			
SIZE	FSCM NO.	DWG NO.	REV
B			C
JTP	02JAN97	SCALE	SHEET
		1/16	