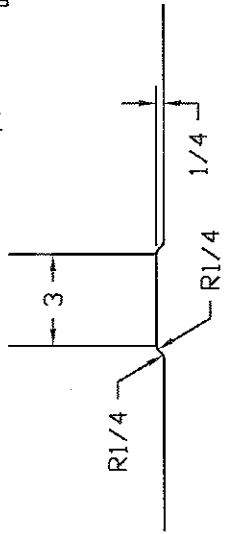
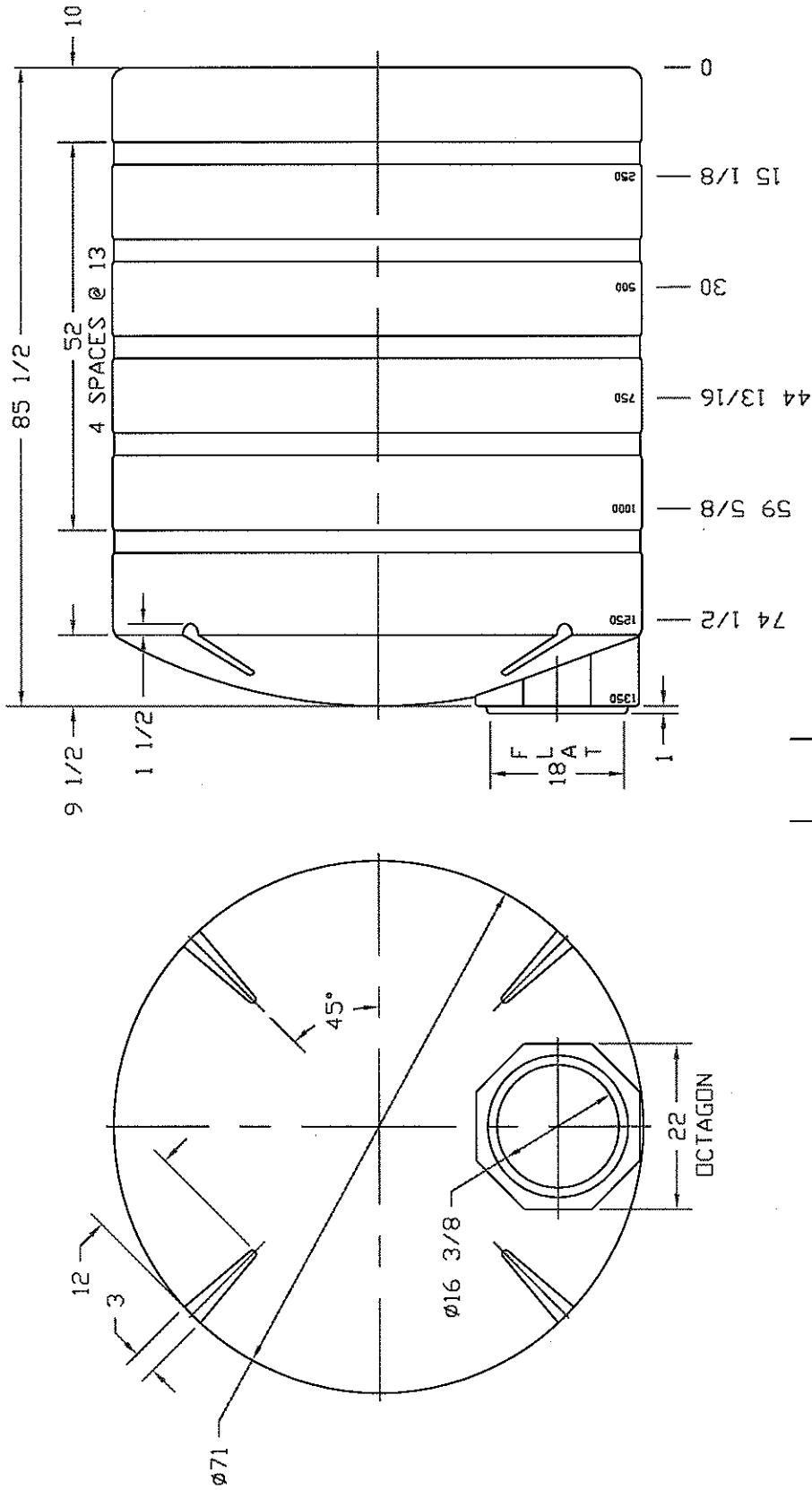


REVISIONS



**NORWESCO**  
ST. BONIFACIUS, MN  
1350 GALLON  
VERTICAL TANK

|            |           |      |          |         |     |
|------------|-----------|------|----------|---------|-----|
| JTP        | 17 JAN 96 | SIZE | FSCM NO. | DWG NO. | REV |
|            |           | B    |          |         | B   |
| SCALE 1/16 |           |      |          | SHEET   |     |

RIB DETAIL, 1/4 SCALE