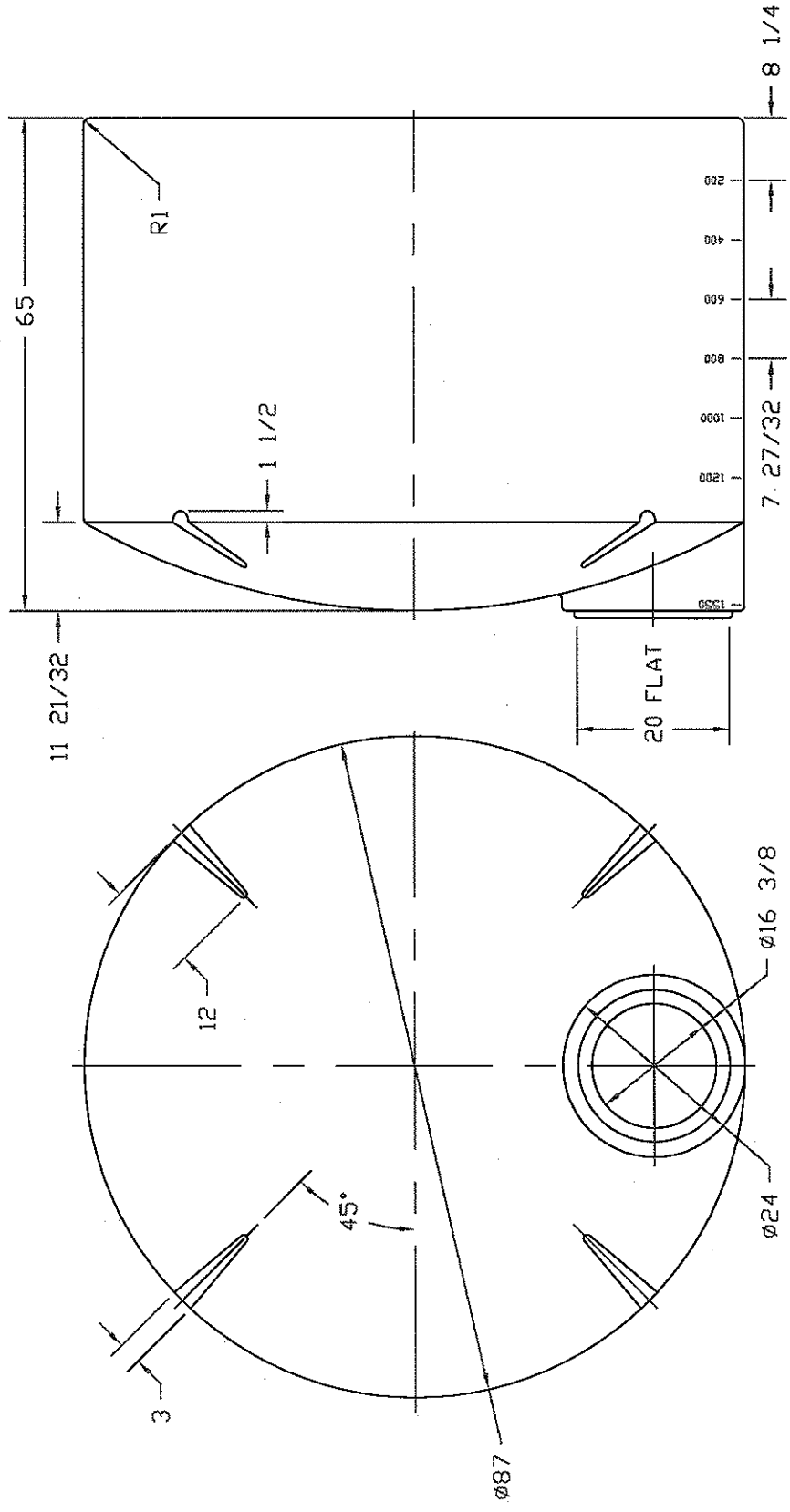


REVISIONS		
ZONE	REV	DESCRIPTION
	A	REDRAWN
		DATE
		02 JAN 97
		APPROVED



	NORWESCO	
	ST. BONIFACIUS, MN	
	1550 GALLON VERTICAL TANK	
JTP	02JAN97	
	SIZE	FSCM NO.
	B	
	DWC NO.	
	A	
	SCALE	1/16
	SHEET	