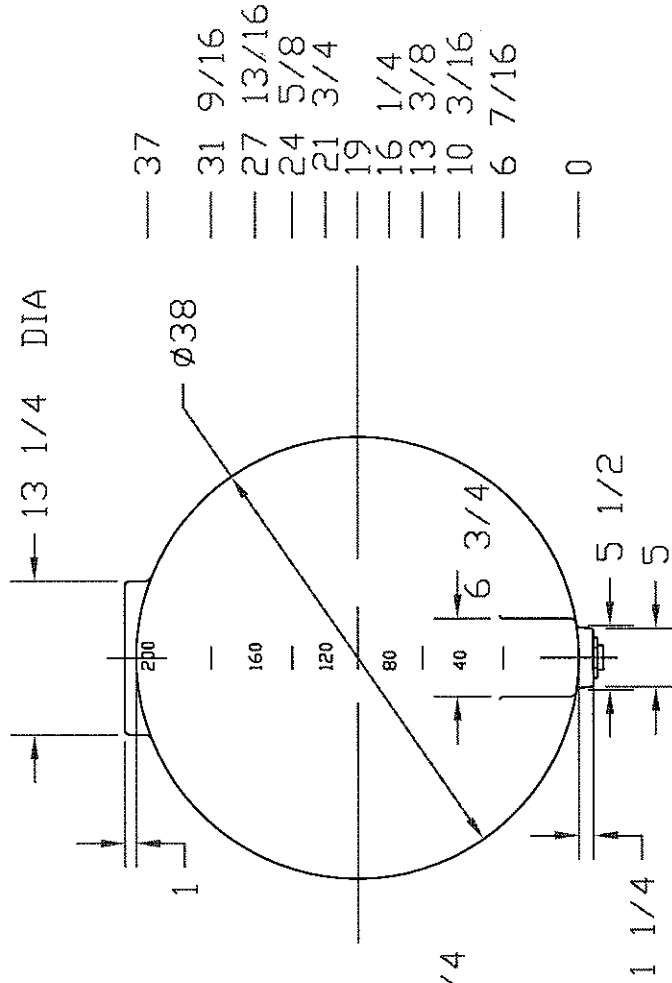
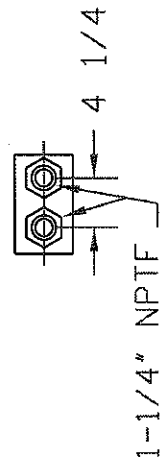
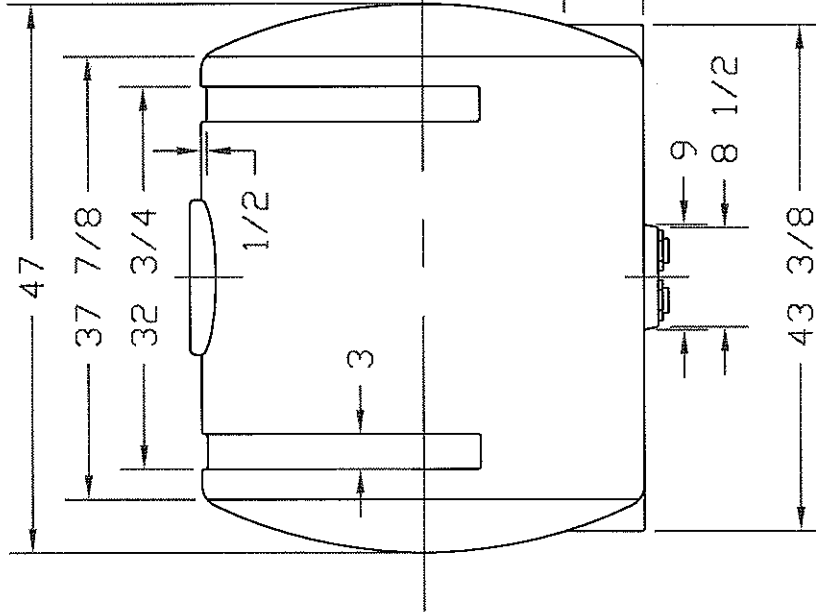


8 1/4 ACME THD,  
RH, FOR 60002 LID



—	37	—	0
—	31	9/16	—
—	27	13/16	—
—	24	5/8	—
—	21	3/4	—
—	19	1/4	—
—	16	3/8	—
—	13	3/16	—
—	10	3/16	—
—	6	7/16	—

REVISIONS

ZONE	REV	DESCRIPTION	DATE	APPROVED
	A	FITTINGS UPDATED	09DEC02	

**NORWESCO**  
ST. BONIFACIUS, MN

200 GALLON X 38 DIA  
APPLICATOR TANK

JTP 1FEB96

SIZE A

FSCM NO.

DWG NO.

REV A

SCALE 1/16

SHEET