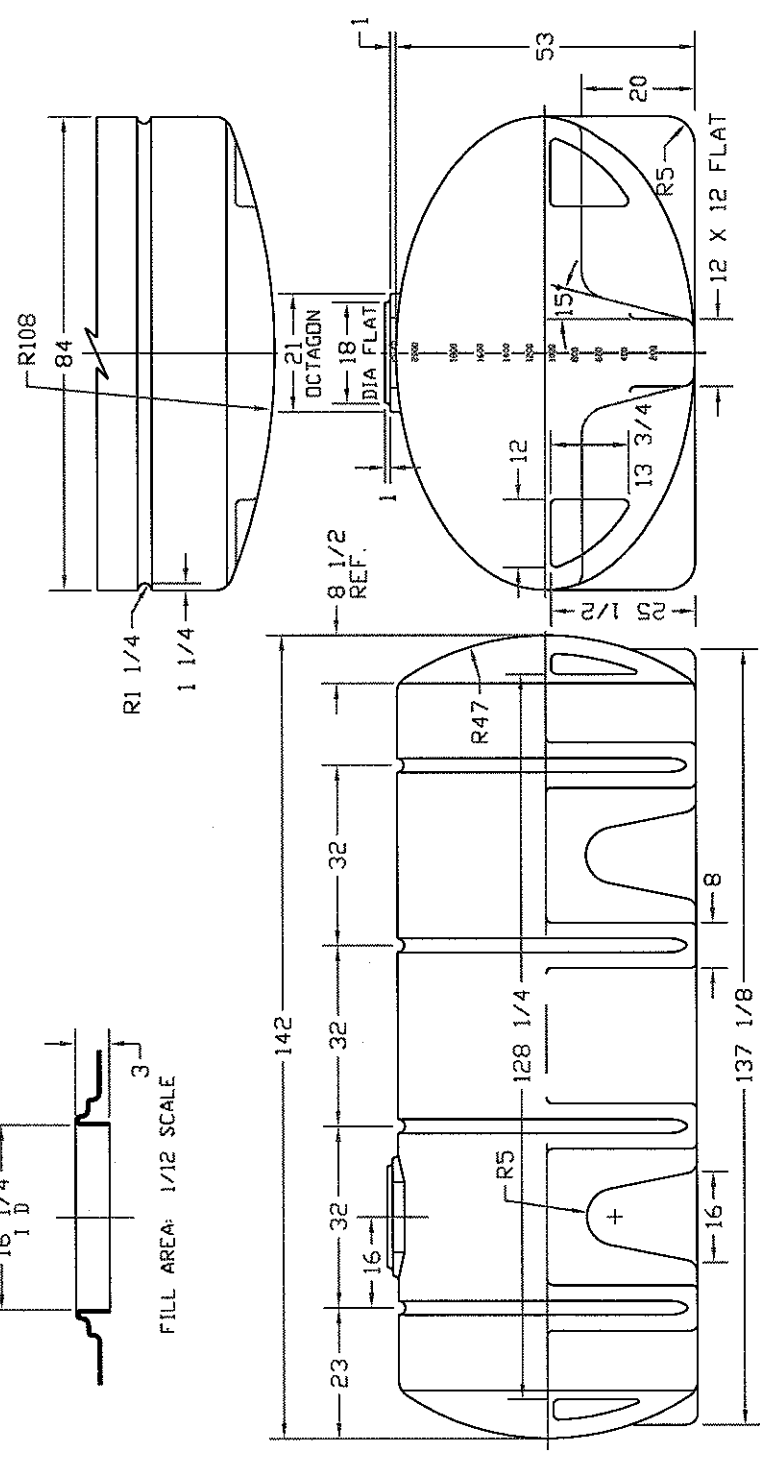
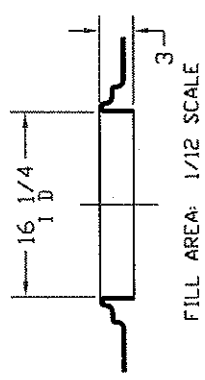


REVISIONS

ZONE	REV	DESCRIPTION	DATE	APPROVED



NORWESCO
ST. BONIFACIUS, MN
2035 GALLON
ELLIPTICAL TANK

JTP	20APR94	SIZE	FSCM NO.	DWG NO.	REV
		B			
SCALE 1/24				SHEET	