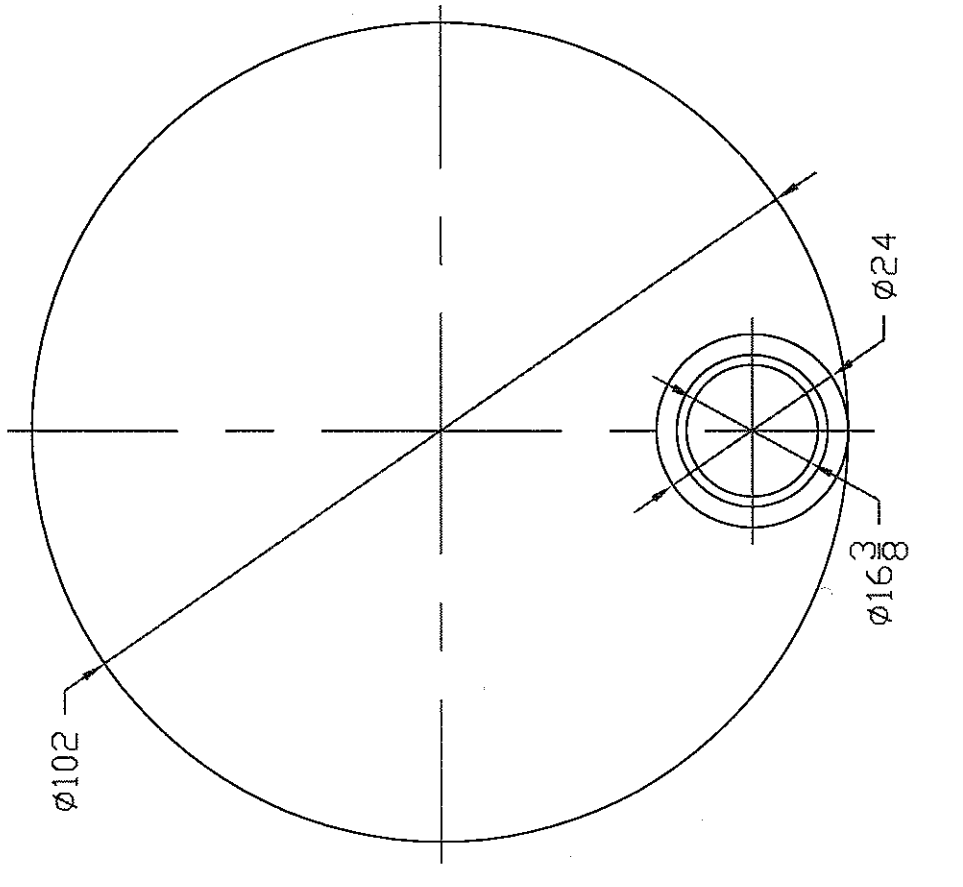
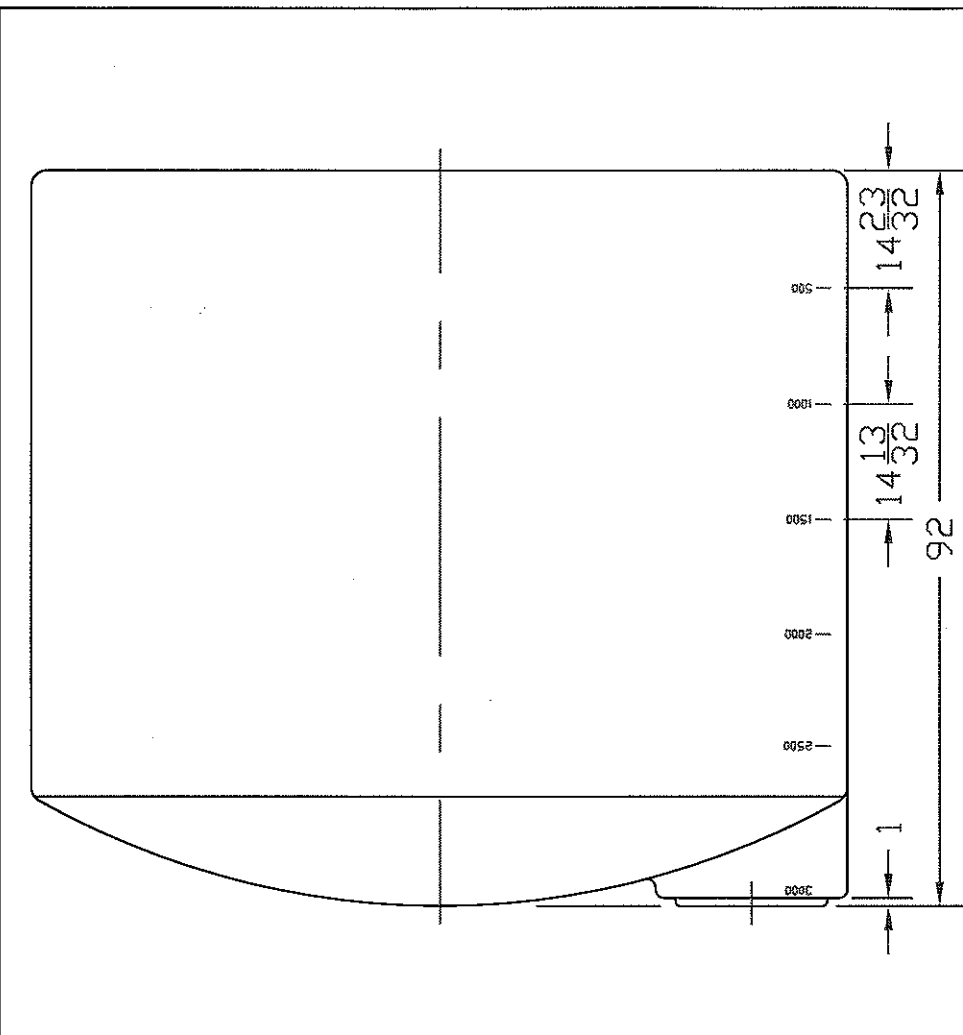



REVISIONS			
ZONE	REV	DESCRIPTION	DATE



 <b>NORWESCO</b> ST. BONIFACIUS, MN		3000 GALLON VERTICAL WATER TANK X 102	
JTP 26FEB03	SIZE A	FSCM NO. 42041	DWG NO. 42041
SCALE 1/24		SHEET	