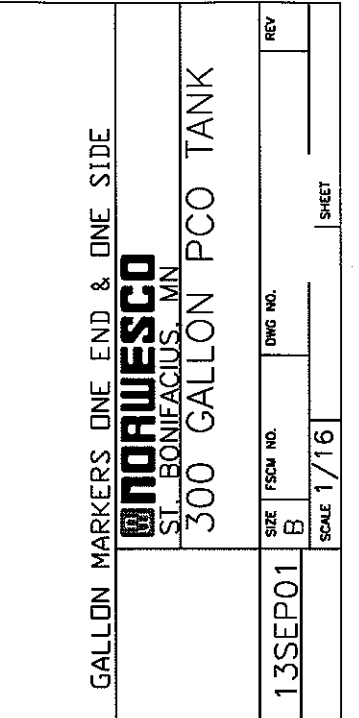
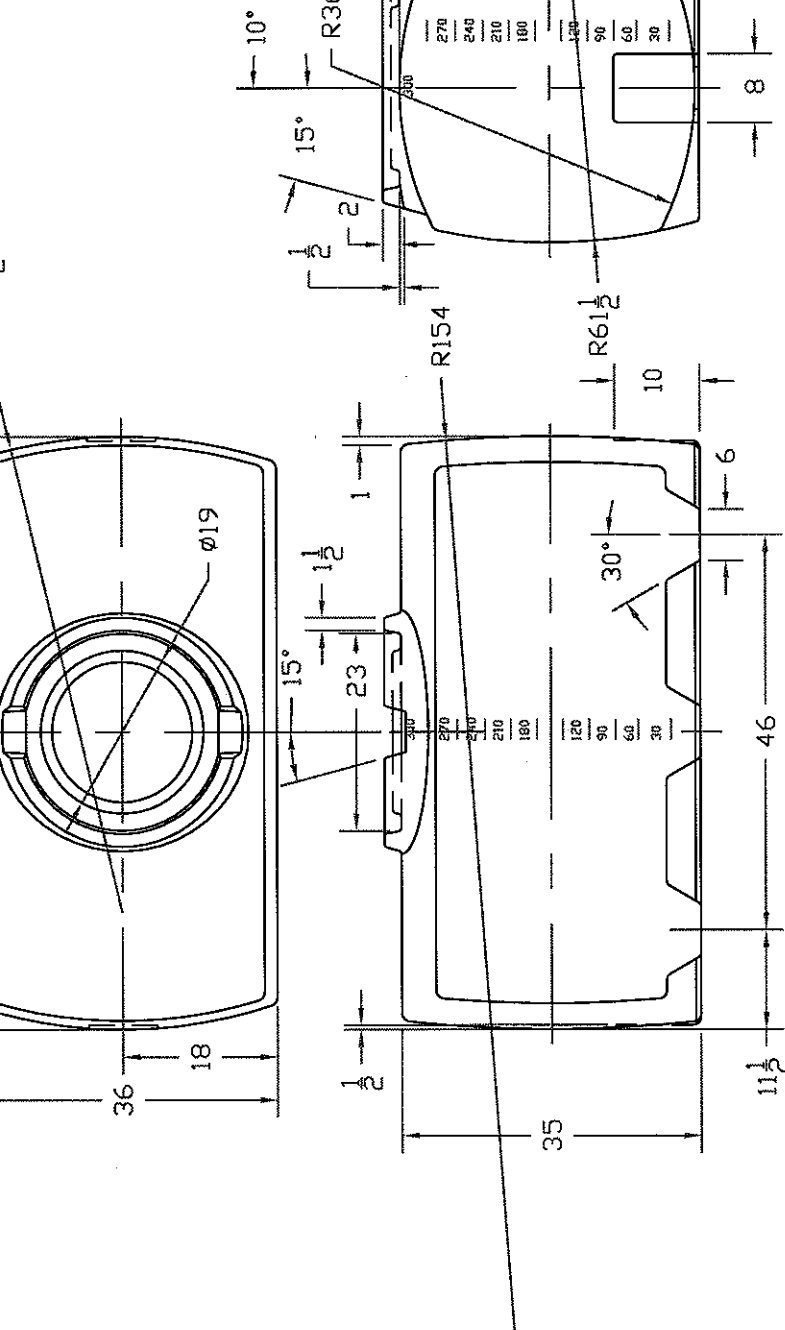
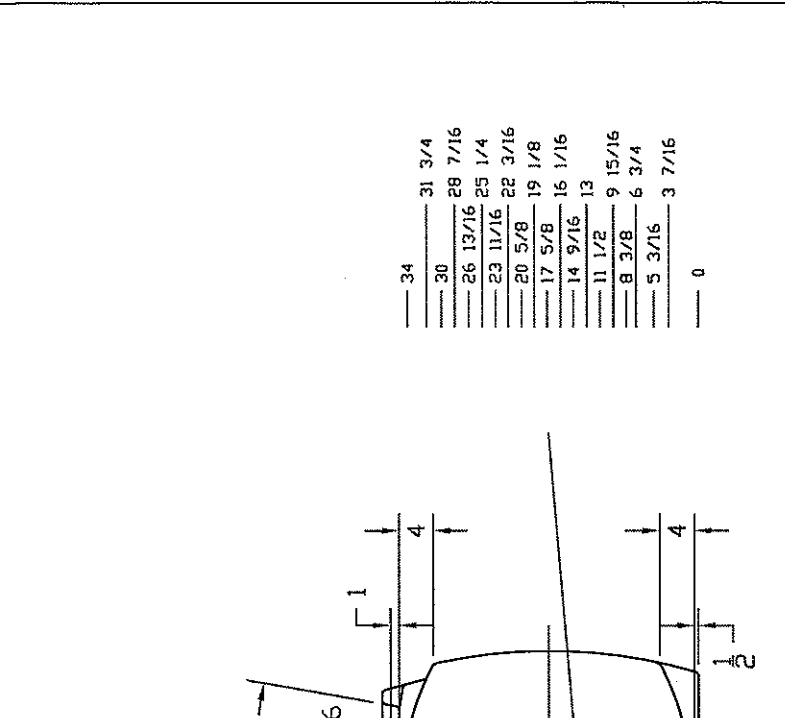
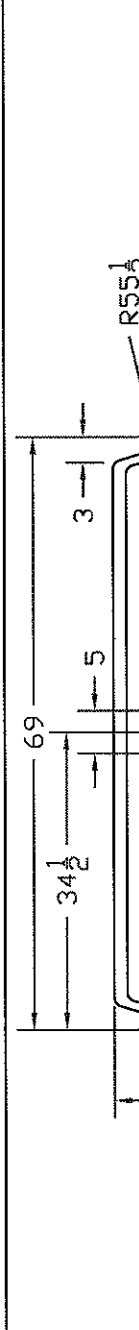


REVISIONS			
ZONE	REV	DESCRIPTION	DATE



34	31	3/4	
30	28	7/16	
26	13/16	25	1/4
23	11/16	22	3/16
20	5/8	19	1/8
17	5/8	16	1/16
14	9/16	13	
11	1/2	9	15/16
8	3/8	6	3/4
5	3/16	3	7/16
	0		

NOTE: GALLON MARKERS ONE END & ONE SIDE

NORWESCO
 ST. BONIFACIUS, MN
 300 GALLON PCO TANK

JTP	13SEP01	SIZE	FSCM NO.	DWG NO.	REV
		B			
		SCALE			SHEET
		1/16			