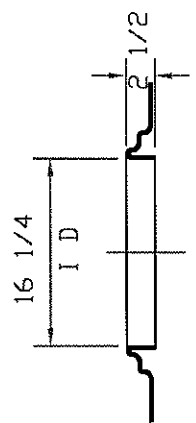
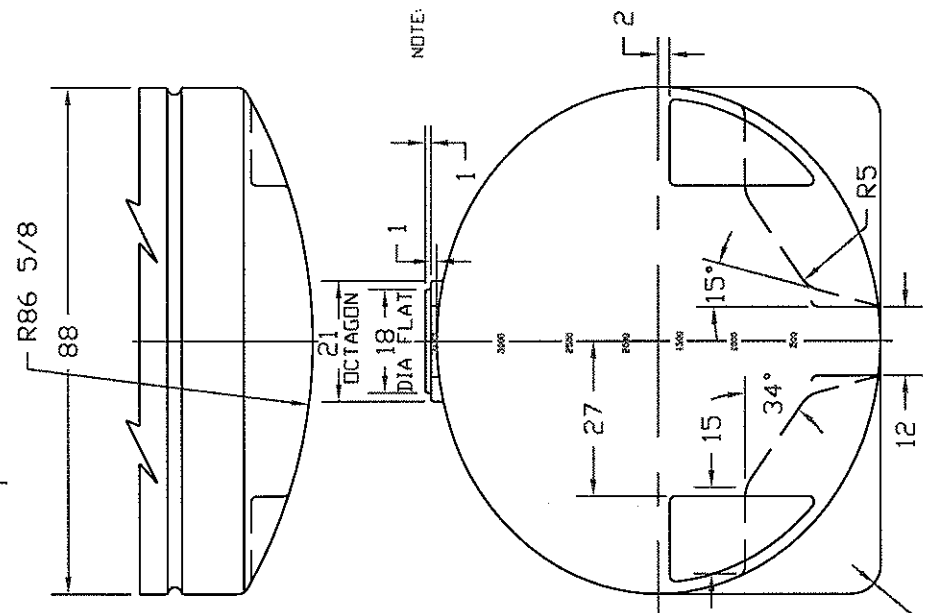
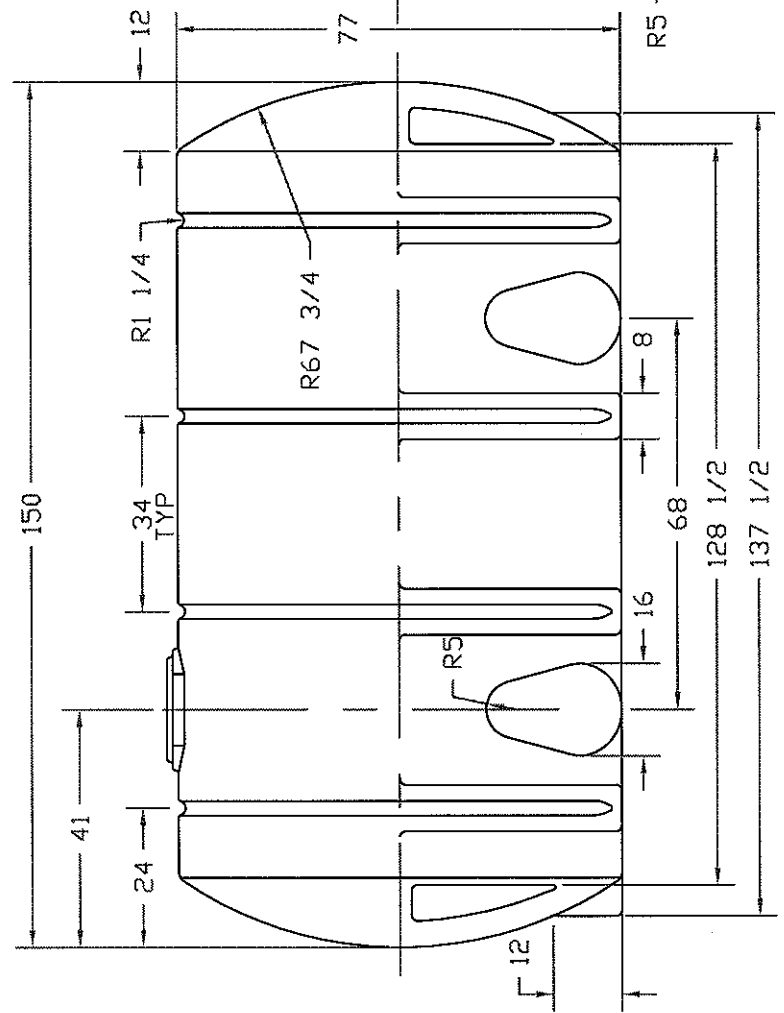


REVISIONS		
ZONE	REV	DESCRIPTION

DATE	APPROVED



FILL AREA
1/12 SCALE



- NOTE:
GALLON MARKERS
ON OPPOSITE END
ONLY
- 65 13/16
 - 53 29/32
 - 44 3/32
 - 34 13/16
 - 25 13/32
 - 15 3/32
 - 0

NORWESCO
ST. BONIFACIUS, MN
3135 GALLON
ELLIPITCAL LEG TANK

JTP 29JUN95

SIZE B FSCM NO. ...

SCALE 1/24

SHEET