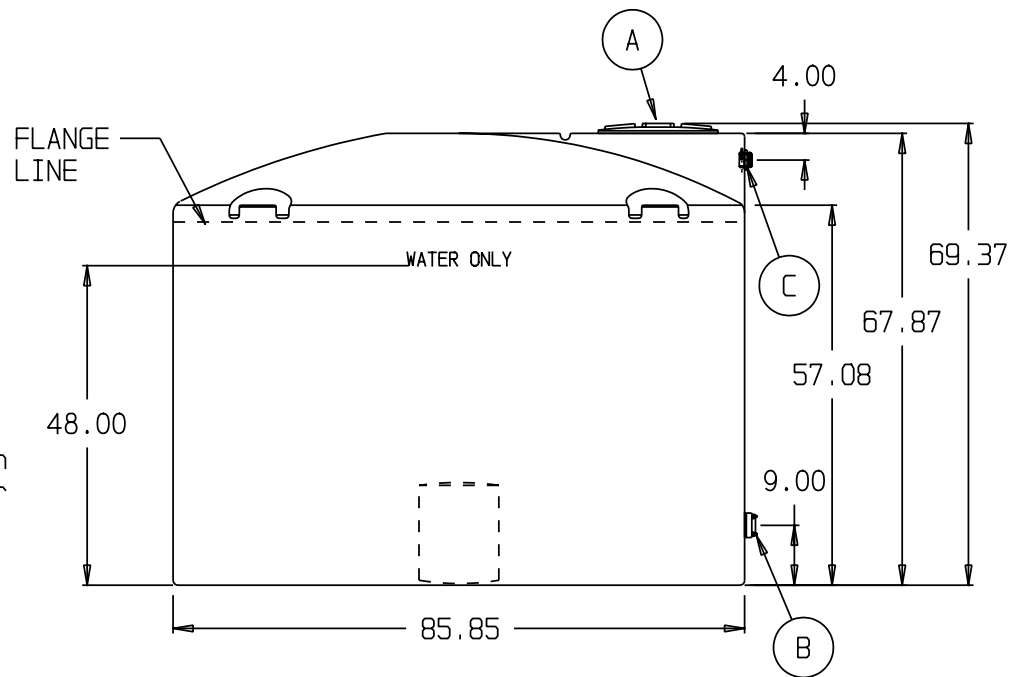
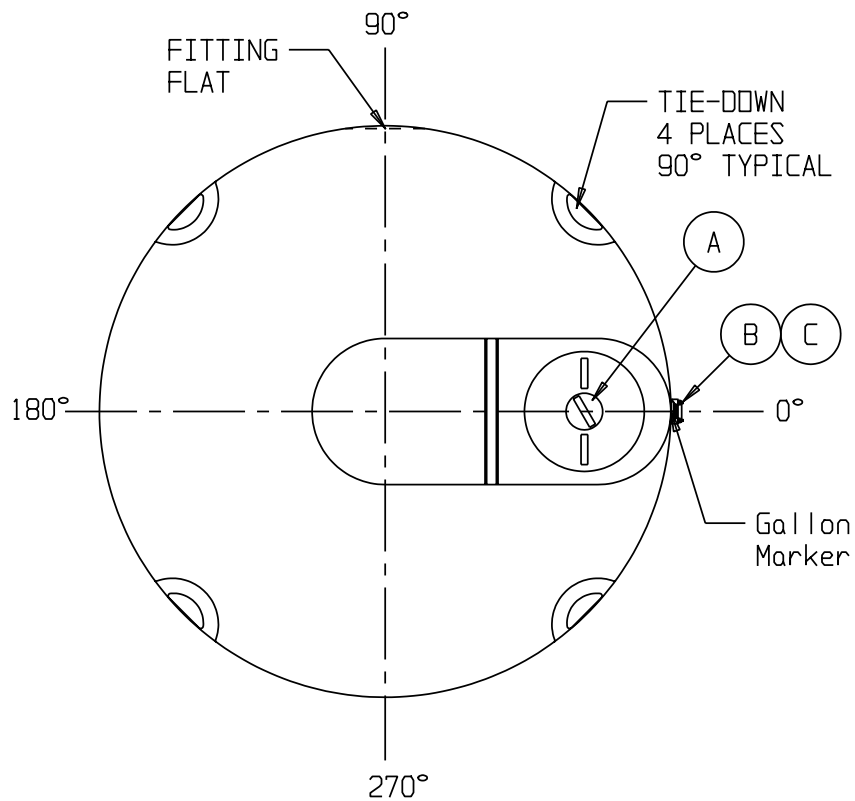


WATER

SNYDER INDUSTRIES INC.



1-1/2" PP TxT BH BANJO FTG W/EPDM GASKET [P/N 34100144]

- A. 18" PE THREADED-VENTED MANWAY W/15" ACCESS [P/N 34700087]
- B. 2" PP DBL FLANGED BOLTED FTG W/EPDM GASKETS & SS BOLTS [P/N 34100103]
- C. 1-1/2" PP TxT BH BANJO FTG W/EPDM GASKET [P/N 34100144]

\* BASE FITTINGS TO BE LEFT INSTALLED AT TIME OF SHIPMENT PER SII PROCEDURE  
 \* Consult Snyder's Guidelines for Use and Installation prior to delivery.  
 Available on-line at [www.snydernet.com](http://www.snydernet.com)

(all dimensions in inches)

PART # TANK: 1770300W94204 & 99803 (C)  
 HDLPE/BLK & GDO/WATER

REF#: 00000

04/04/07

1,500 GALLON BLACK & DARK OLIVE GREEN WATER TANK