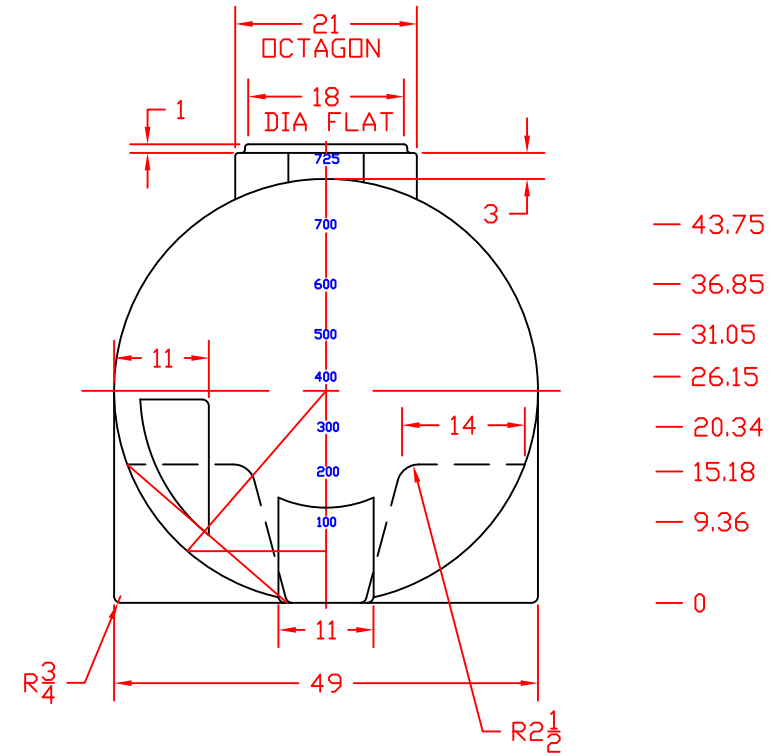
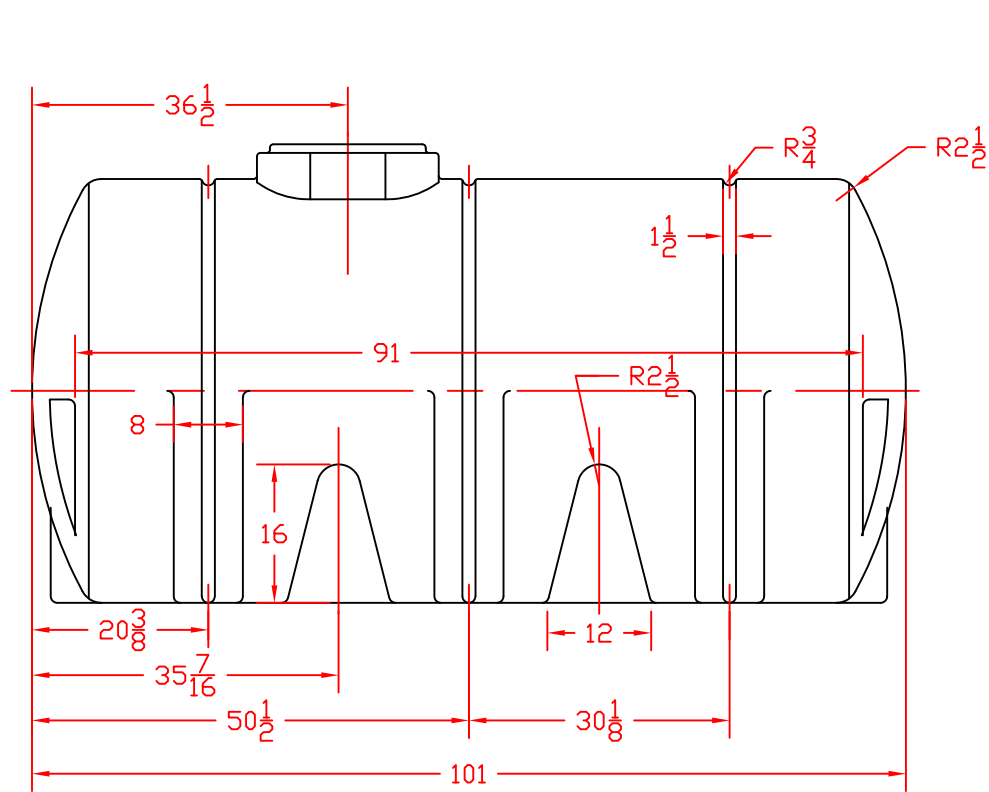


REVISIONS				
ZONE	REV	DESCRIPTION	DATE	APPROVED
	B	REDRAWN	14AUG97	



GALLON MARKS BOTH ENDS

		NORWESCO		
		ST. BONIFACIUS, MN		
		725 GALLON HORIZONTAL LEG TANK		
JTP	14AUG97	SIZE B	FSCM NO.	DWG NO. 40180
		SCALE 1/16	SHEET	