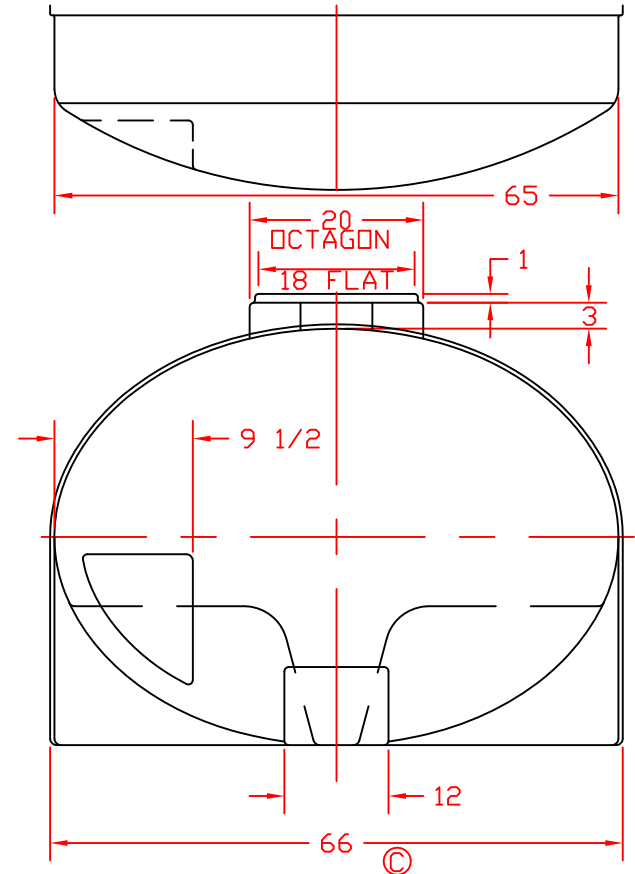
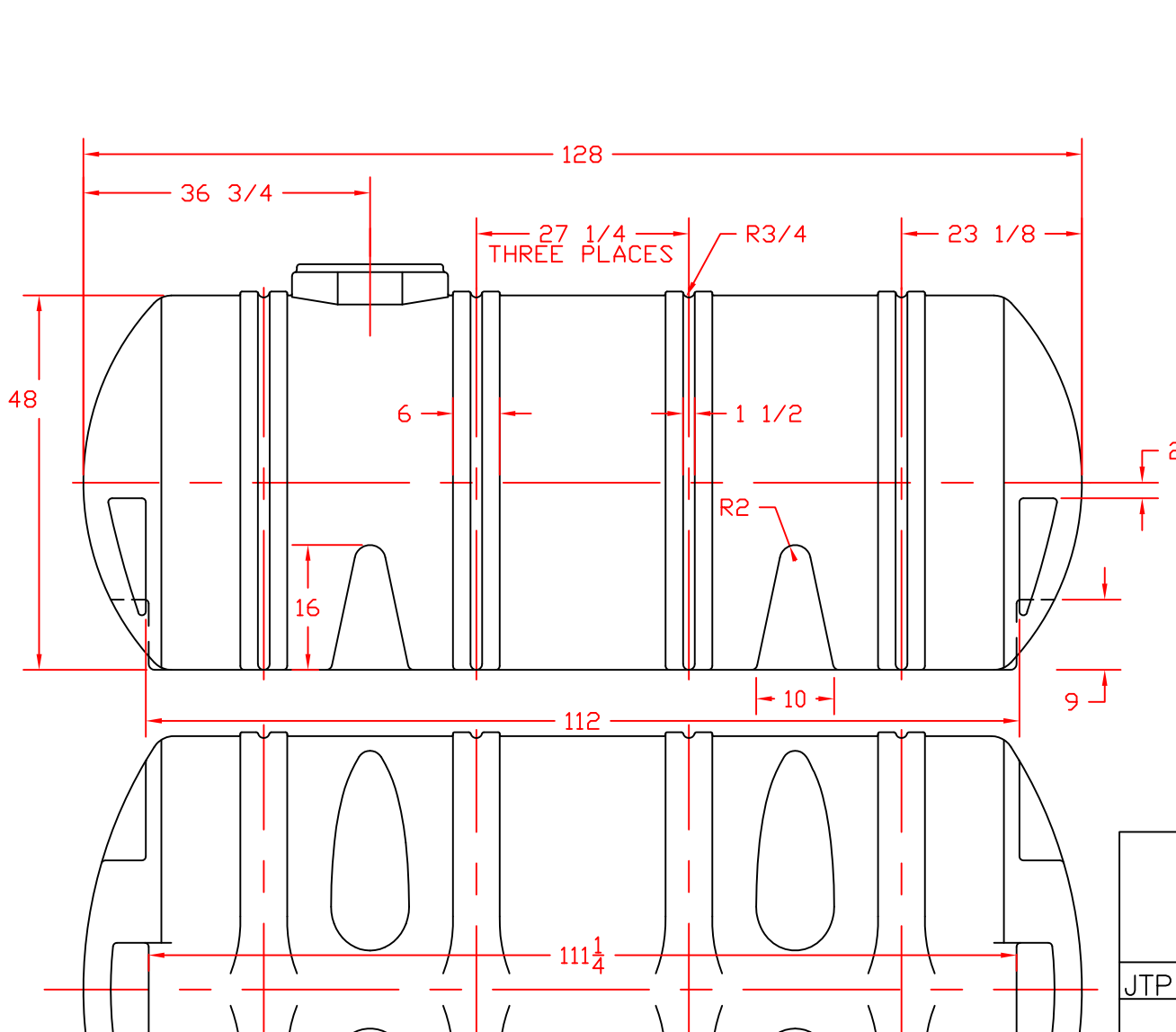


REVISIONS				
ZONE	REV	DESCRIPTION	DATE	APPROVED
	C	ADDED DIM	09FEB04	

REVISIONS				
ZONE	REV	DESCRIPTION	DATE	APPROVED
	A	REDRAWN	27JUN97	
	B	SPARGER FLATS REVISED	23OCT98	



 ST. BONIFACIUS, MN 1235 GALLON ELLIPTICAL LEG TANK				REV
				C
JTP	27JUN97	SIZE	FSCM NO.	DWG NO.
	B	SCALE	1/16	SHEET