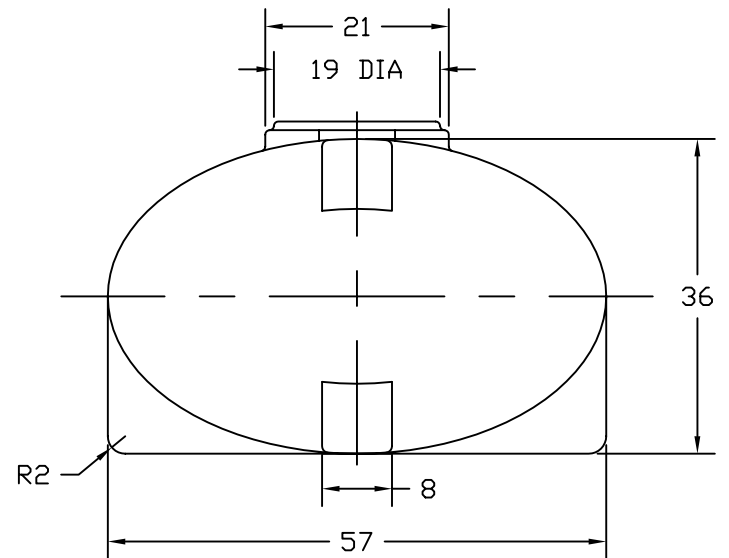
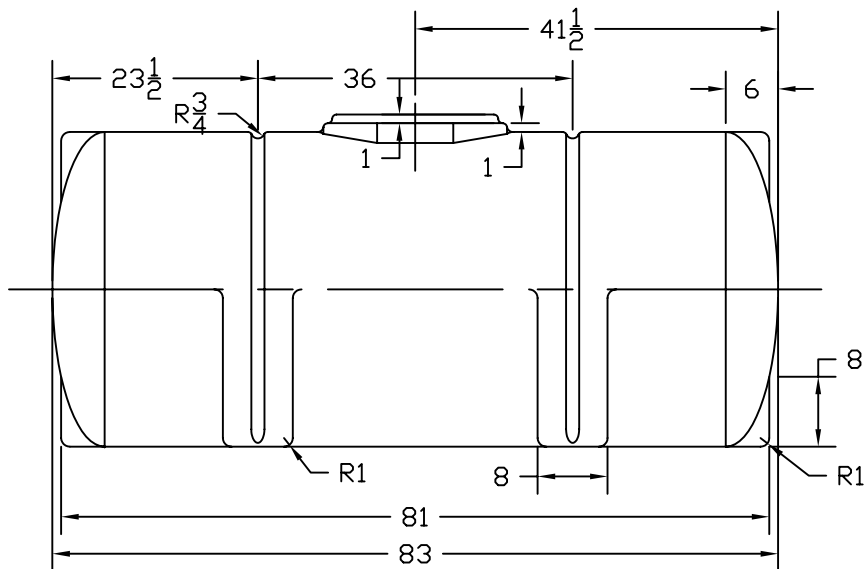


FILLWELL DETAIL
1/12 SCALE



REVISIONS				
ZONE	REV	DESCRIPTION	DATE	APPROVED

 ST. BONIFACIUS, MN					
					535 GALLON ELLIPTICAL LEG TANK
JTP	23FEB06	SIZE B	FSCM NO.	DWG NO. 42353	REV
SCALE 1/16				SHEET	