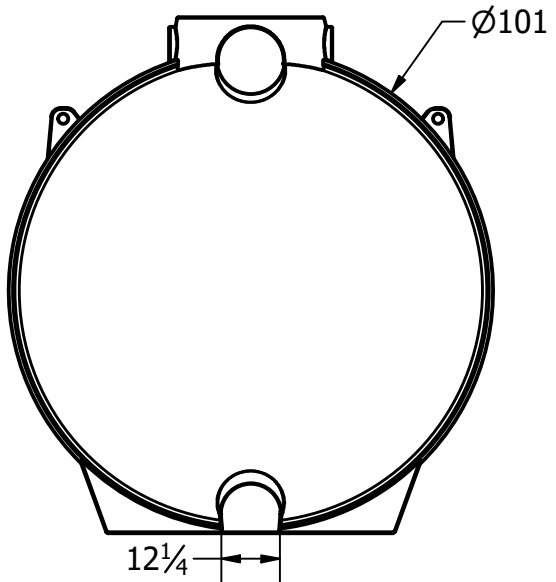
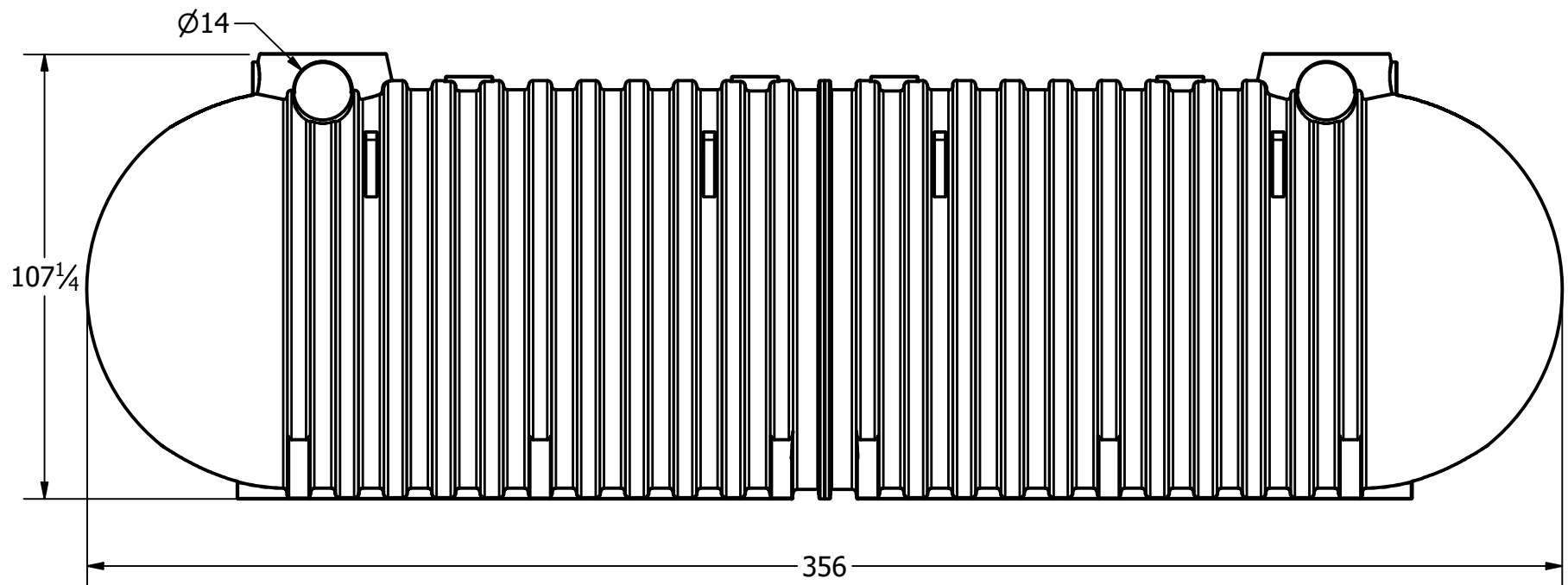
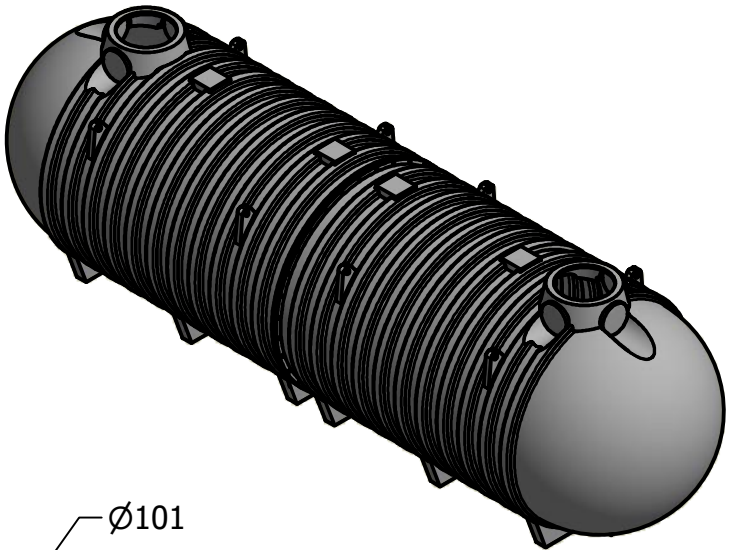
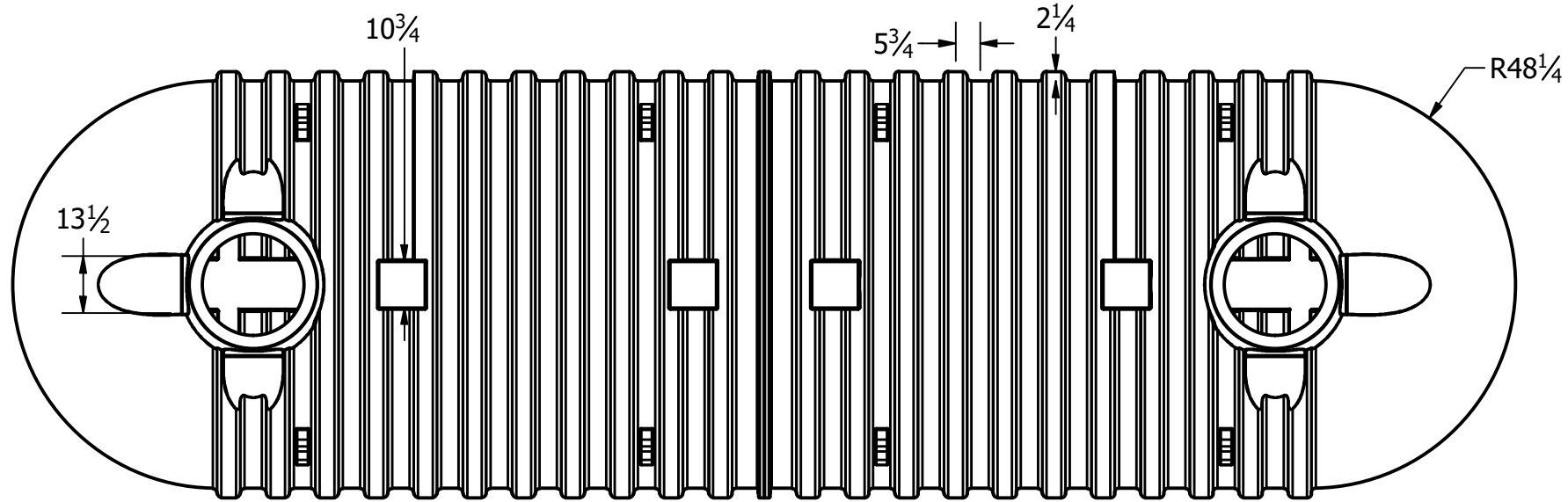



REVISION HISTORY			
REV	DESCRIPTION	DATE	AUTHOR
			bolzer



Material: HDPE  
 Total Volume: 10,000 US Gallons  
 Part Weight: TBD  
 Wall Thickness: .625 in  
 Max Burial Depth" 24"

DRAWN bolzer	5/24/2019		
CHECKED		NORWESCO, INC., ST. BONIFACIUS, MN	
QA		TITLE	
MFG		10,000 UNDERGROUND STORAGE TANK	
APPROVED		SIZE B	DWG NO 10000 UGT - 5-23-19
		SCALE: FULL	REV
			SHEET 1 OF 1