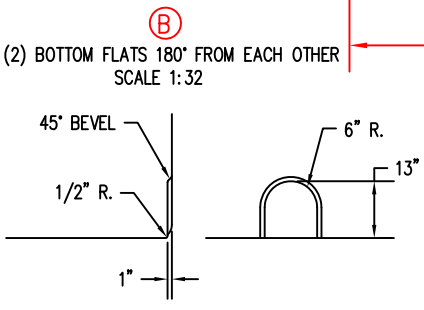
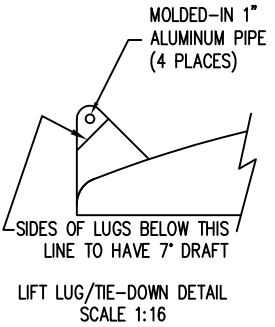
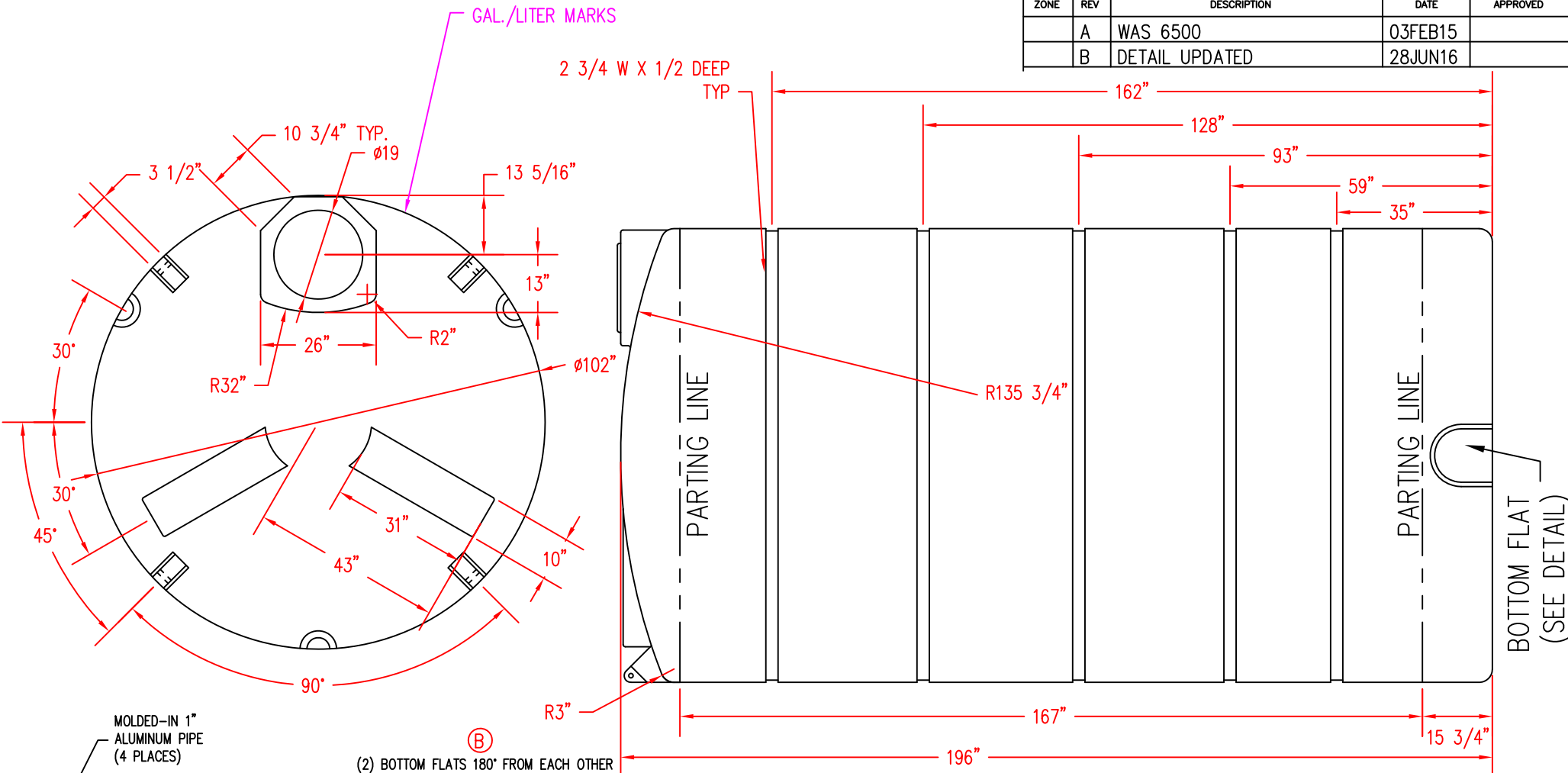


REVISIONS				
ZONE	REV	DESCRIPTION	DATE	APPROVED
	A	WAS 6500	03FEB15	
	B	DETAIL UPDATED	28JUN16	



JTP 24JUL03		 ST. BONIFACIUS, MN		(A) 6502 GALLON VERTICAL STORAGE TANK	REV
					B
SCALE	1/24	DWG NO.			SHEET