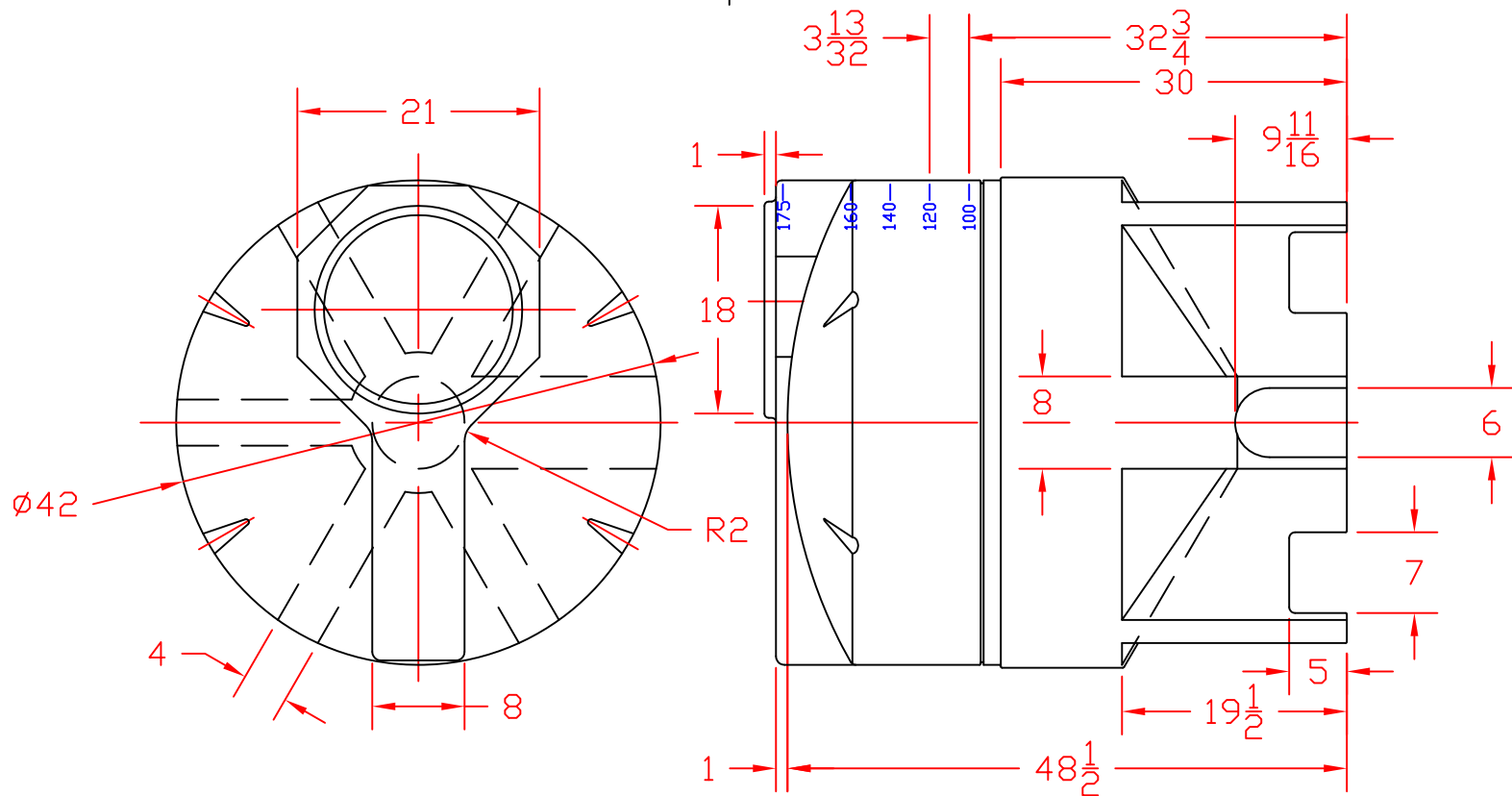



REVISIONS				
ZONE	REV	DESCRIPTION	DATE	APPROVED
	B	REDRAWN W/ 16" LID	23JAN02	



		 ST. BONIFACIUS, MN			
		175 GALLON CONE BOTTOM TANK WITH STAND			
JTP	23JAN02	SIZE A	FSCM NO.	DWG NO.	REV B
		SCALE 1/16	SHEET		