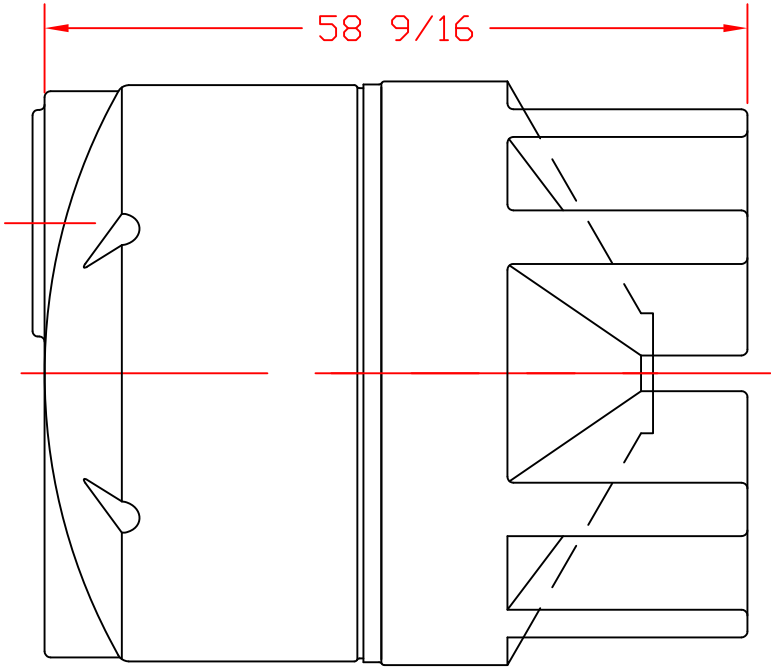



REVISIONS				
ZONE	REV	DESCRIPTION	DATE	APPROVED



	 NORWESCO ST. BONIFACIUS, MN				
	300 GALLON CONE BOTTOM TANK AND STAND				
JTP	10APR97	SIZE A	FSCM NO.	DWG NO.	REV
		SCALE 1/16			SHEET