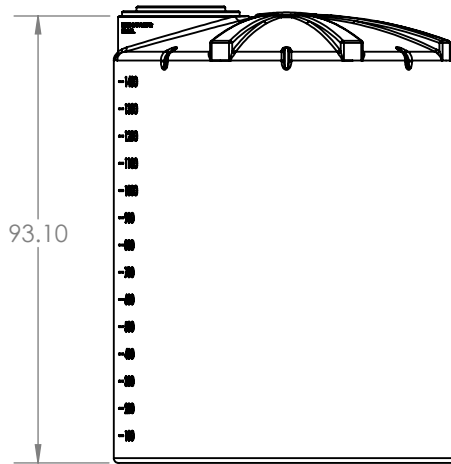
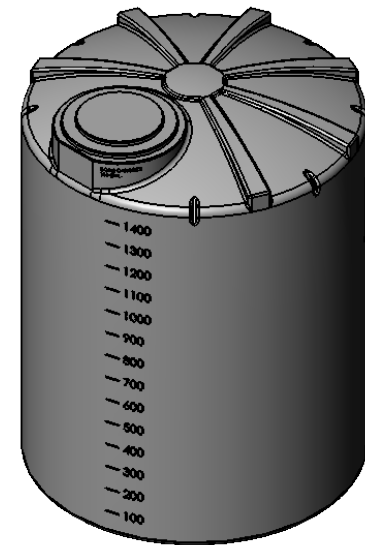
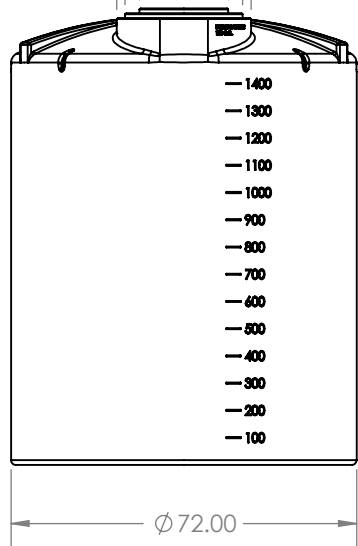


$\phi 28.00$   
 $\phi 24.50$   
 $\phi 18.50$



**PROPRIETARY AND CONFIDENTIAL**  
 THE INFORMATION CONTAINED IN THIS DRAWING IS THE SOLE PROPERTY OF ROTATIONAL MOLDING INC. ANY REPRODUCTION IN PART OR AS A WHOLE WITHOUT THE WRITTEN PERMISSION OF ROTATIONAL MOLDING INC IS PROHIBITED.

UNLESS OTHERWISE SPECIFIED:

ALL DIMENSIONS SHOWN ARE OUTSIDE PART DIMENSIONS IN INCHES AND VARY BY THE STANDARD ROTATIONAL MOLDING TOLERANCE OF  $\pm 3\%$

INTERPRET GEOMETRIC TOLERANCING PER:

MATERIAL

FINISH

DO NOT SCALE DRAWING

	NAME	DATE
DRAWN	Brendan H.	8/10/2017
CHECKED		
ENG APPR.		
MFG APPR.		
Q.A.		
COMMENTS:		

DATE LAST SAVED: 8/10/2017

**ROTATIONAL MOLDING INC.**

TITLE:  
 72 in. Diameter - Ribbed Dome  
 1500 Gallon

SIZE	DWG. NO.	REV
<b>A</b>	RMI - 721500	<b>1</b>
SCALE: 1:40	WEIGHT:	SHEET 1 OF 1