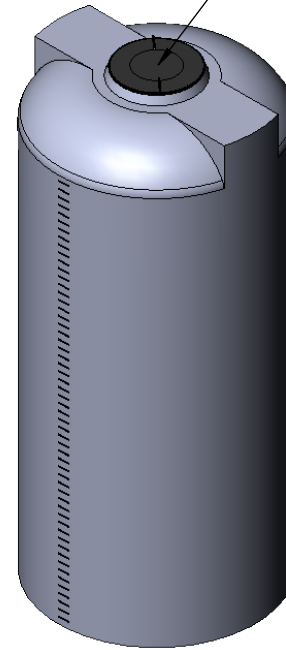
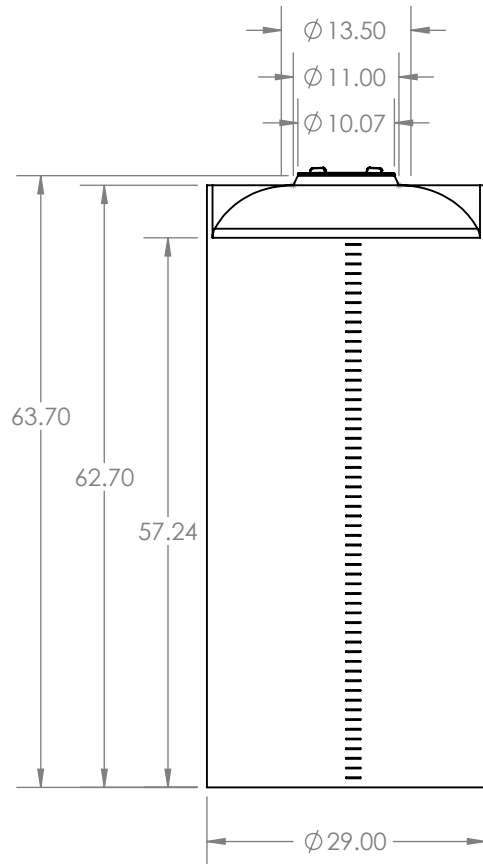


8" Threaded Lid



Capacity: 165 Gallons



**PROPRIETARY AND CONFIDENTIAL**  
 THE INFORMATION CONTAINED IN THIS DRAWING IS THE SOLE PROPERTY OF ROTATIONAL MOLDING INC. ANY REPRODUCTION IN PART OR AS A WHOLE WITHOUT THE WRITTEN PERMISSION OF ROTATIONAL MOLDING INC IS PROHIBITED.

UNLESS OTHERWISE SPECIFIED:		NAME	DATE	<b>ROTATIONAL MOLDING INC.</b>			
ALL DIMENSIONS SHOWN ARE OUTSIDE PART DIMENSIONS IN INCHES AND VARY BY THE STANDARD ROTATIONAL MOLDING TOLERANCE OF ±3%	DRAWN	Brendan H.	10/6/2017			TITLE:  RMI - 165 Gallon Tank	
	CHECKED						
	ENG APPR.						
	MFG APPR.						
INTERPRET GEOMETRIC TOLERANCING PER:	Q.A.			SIZE	DWG. NO.	REV	
MATERIAL	COMMENTS:			<b>A</b>	165-08092017REVA	<b>A</b>	
FINISH				SCALE: 1:20 WEIGHT:		SHEET 1 OF 1	
DO NOT SCALE DRAWING							