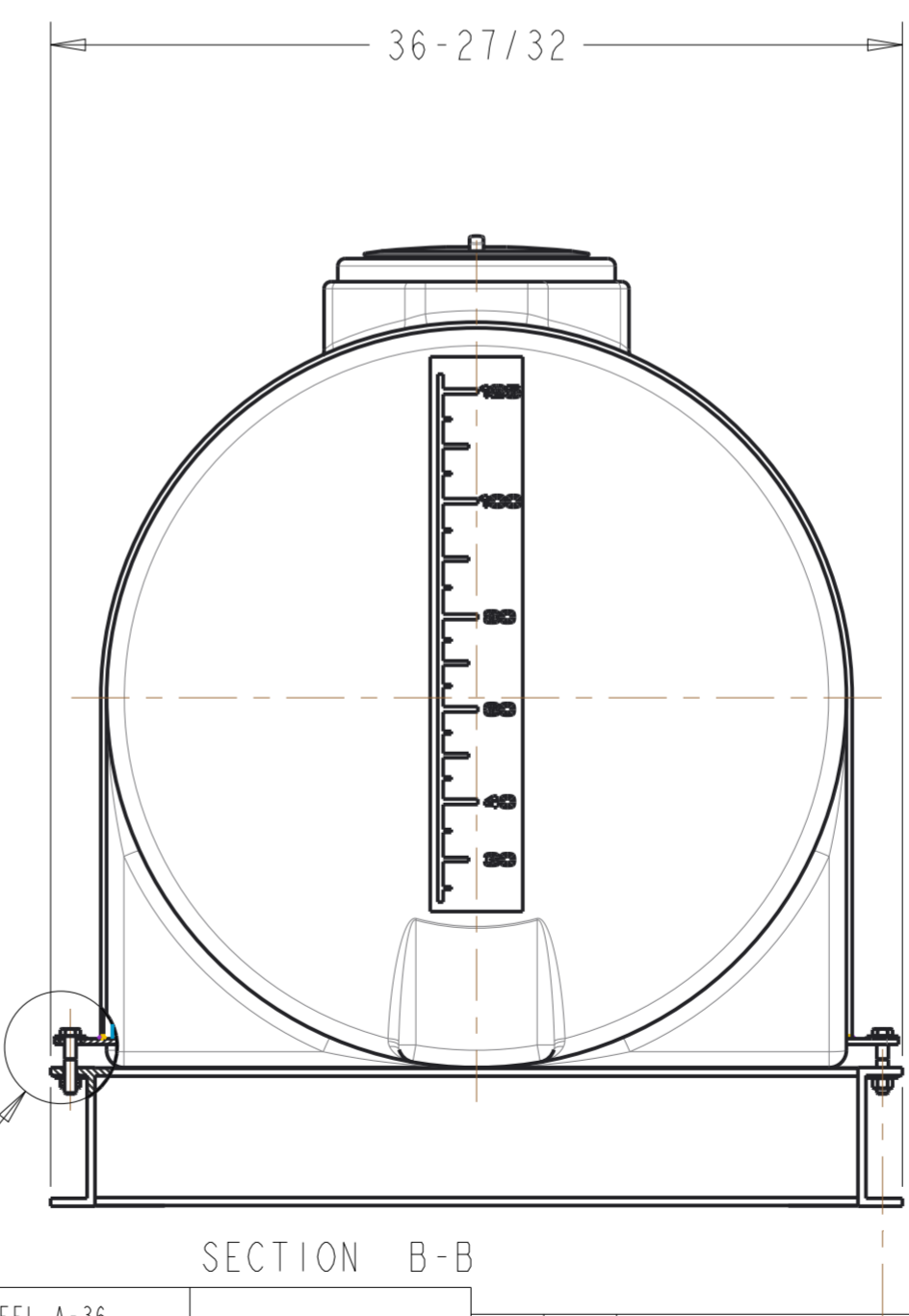
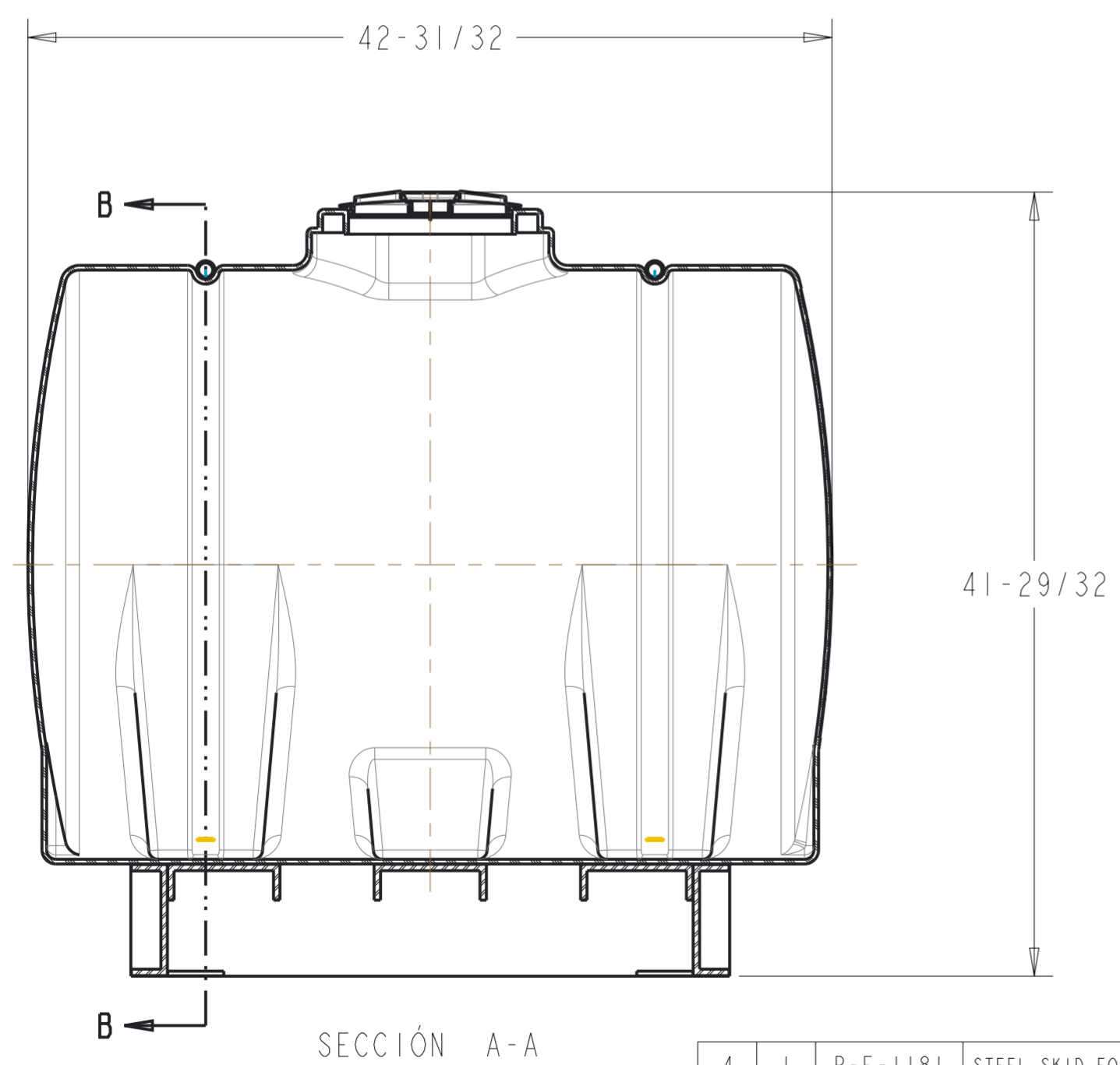
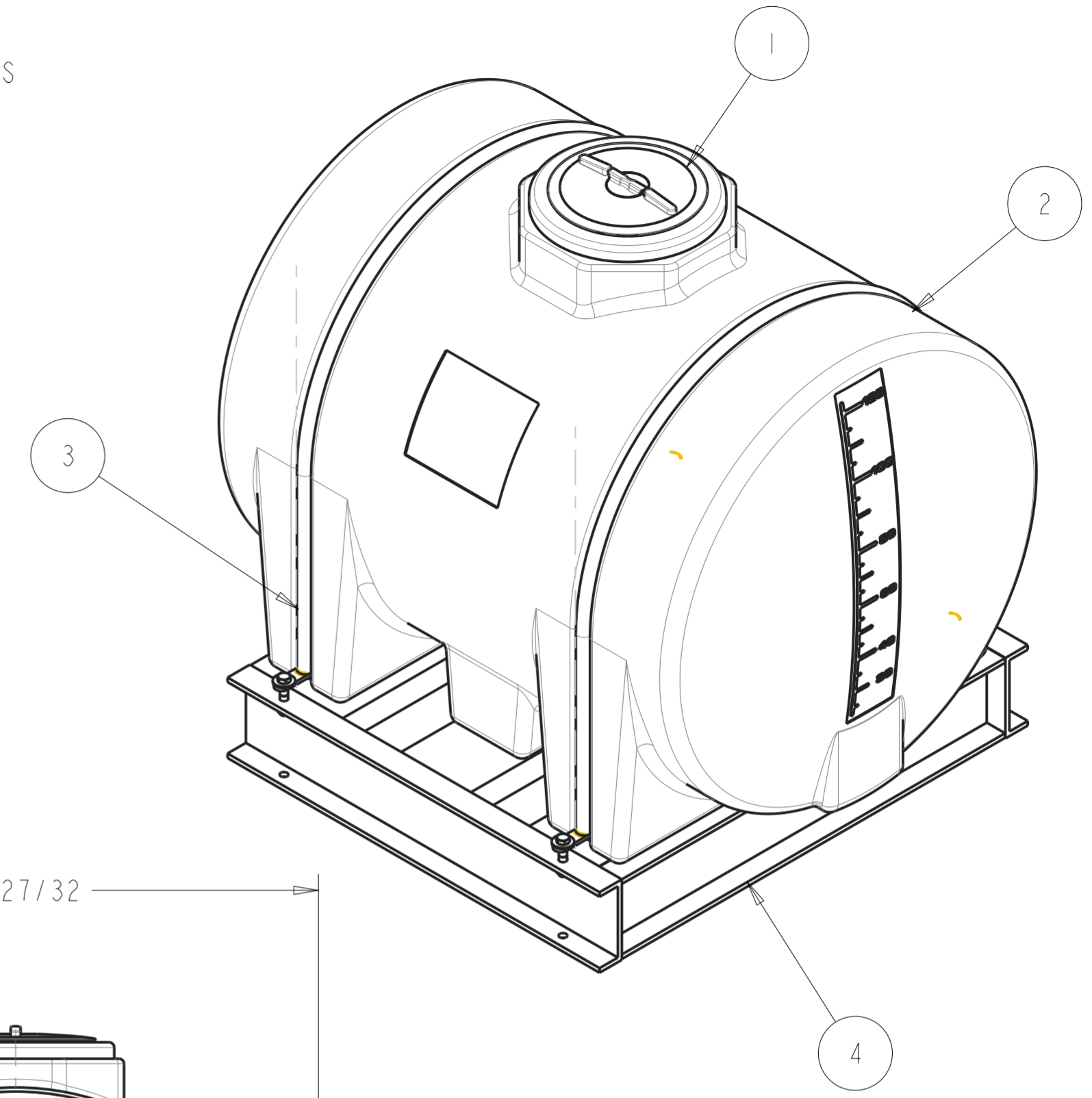
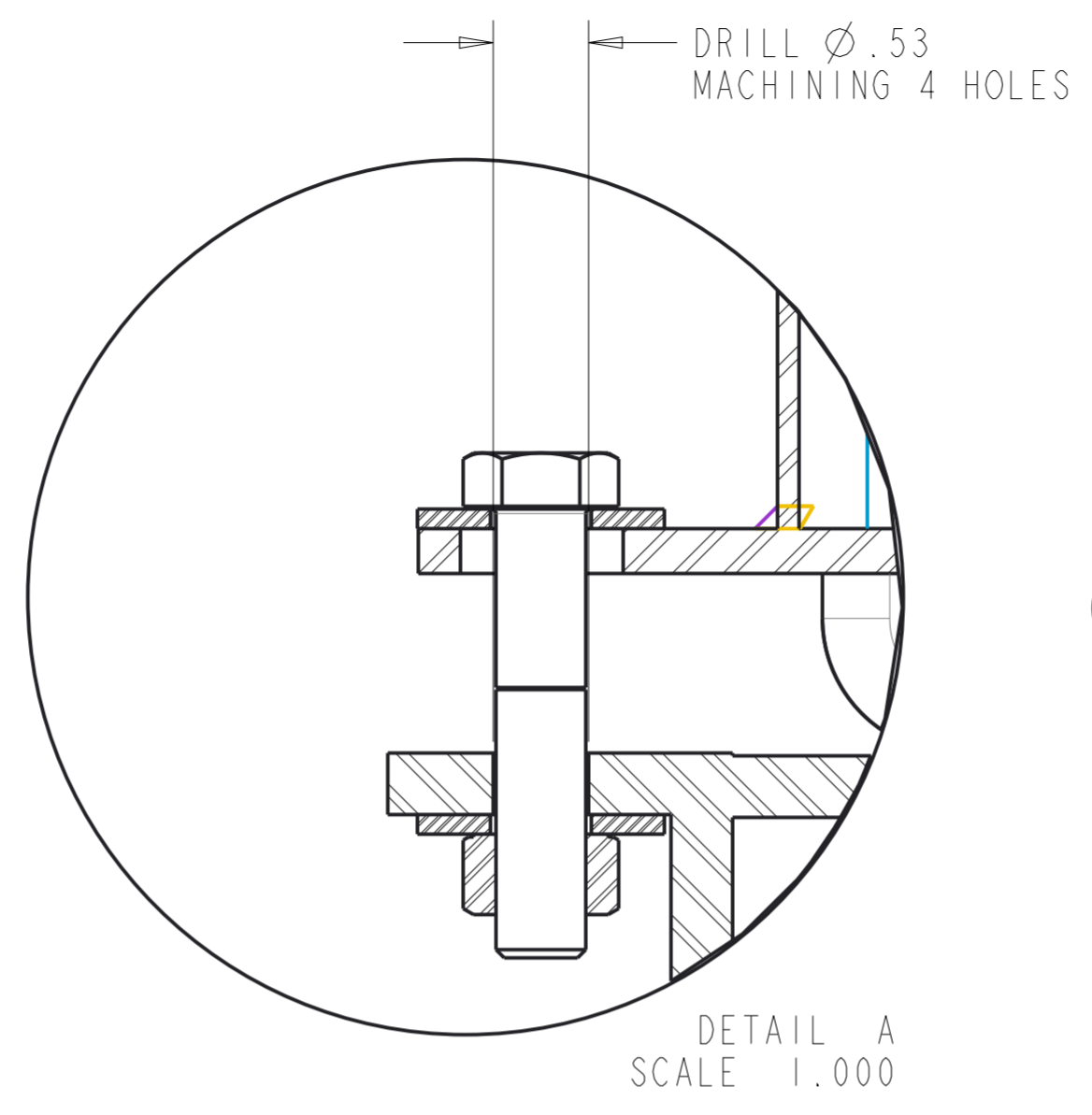
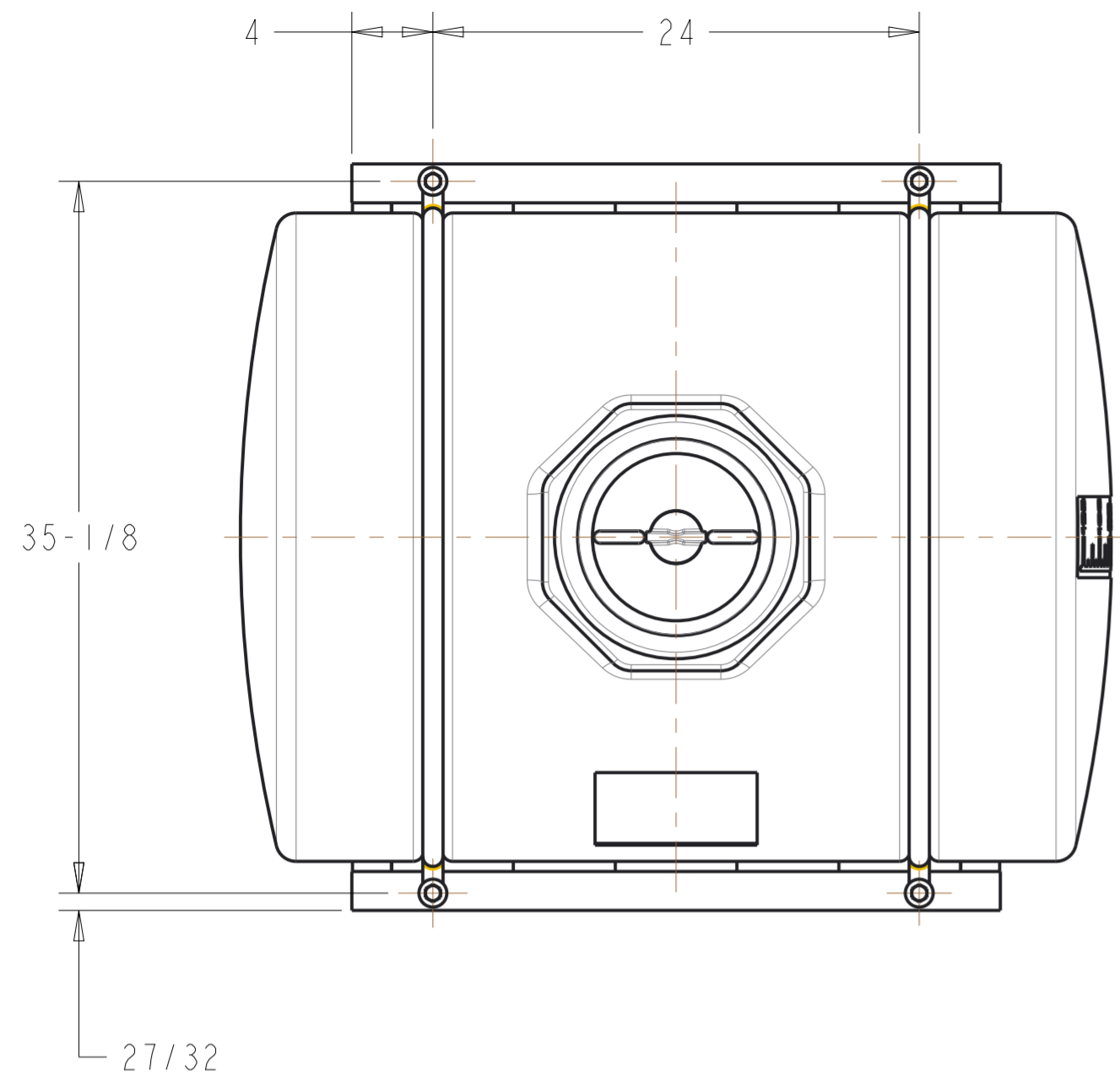


REV.	CHANGE DESCRIPTION	DATE	NAME	APPROVED



No.	CANT	CODIGO	DESCRIPCION	MATERIAL	OBSERVACIONES
4	1	R-E-1181	STEEL SKID FOR 125 GAL LEG TANK	CARBON STEEL A-36	
3	2	R-E-1142	HOOP FOR 125 GALLON LEG TANK	CARBON STEEL A-36	
2	1	R-D-172	125 GAL HORIZONTAL LEG TANK	HDPE	---
1	1	A-B-200	END CAP 450 WITH VENT	INDICATED	

SCALE: 0.13	SIZE: A2	DESIGNER BY: Ing. M. Elias	DATE: Nov-30-15	INNOVATION AND DEVELOPMENT CENTER 	MATERIAL:
UNITS: INCH	REVIEWED BY: Ing. F. Guadarrama	DATE:	PROJECT:		FINISHED SURFACE:
PROJECTION:	APPROVED BY: Ing. Joel Pérez	DATE:	HORIZONTAL LEG TANKS USA		REFERENCE DRAWING:
RELEASED BY:	DATE:	DESCRIPTION:	125 GALLONS HORIZONTAL LEG TANK		CODE: R-B-624
					REV: 2