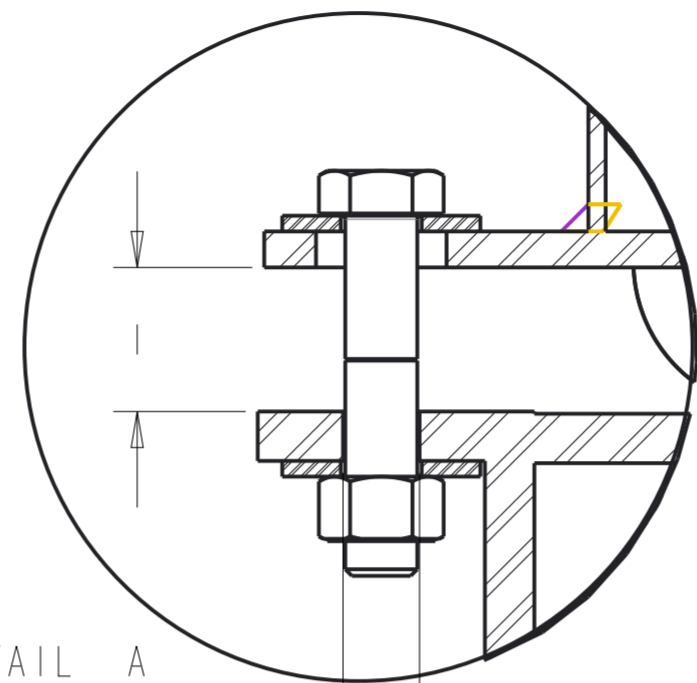
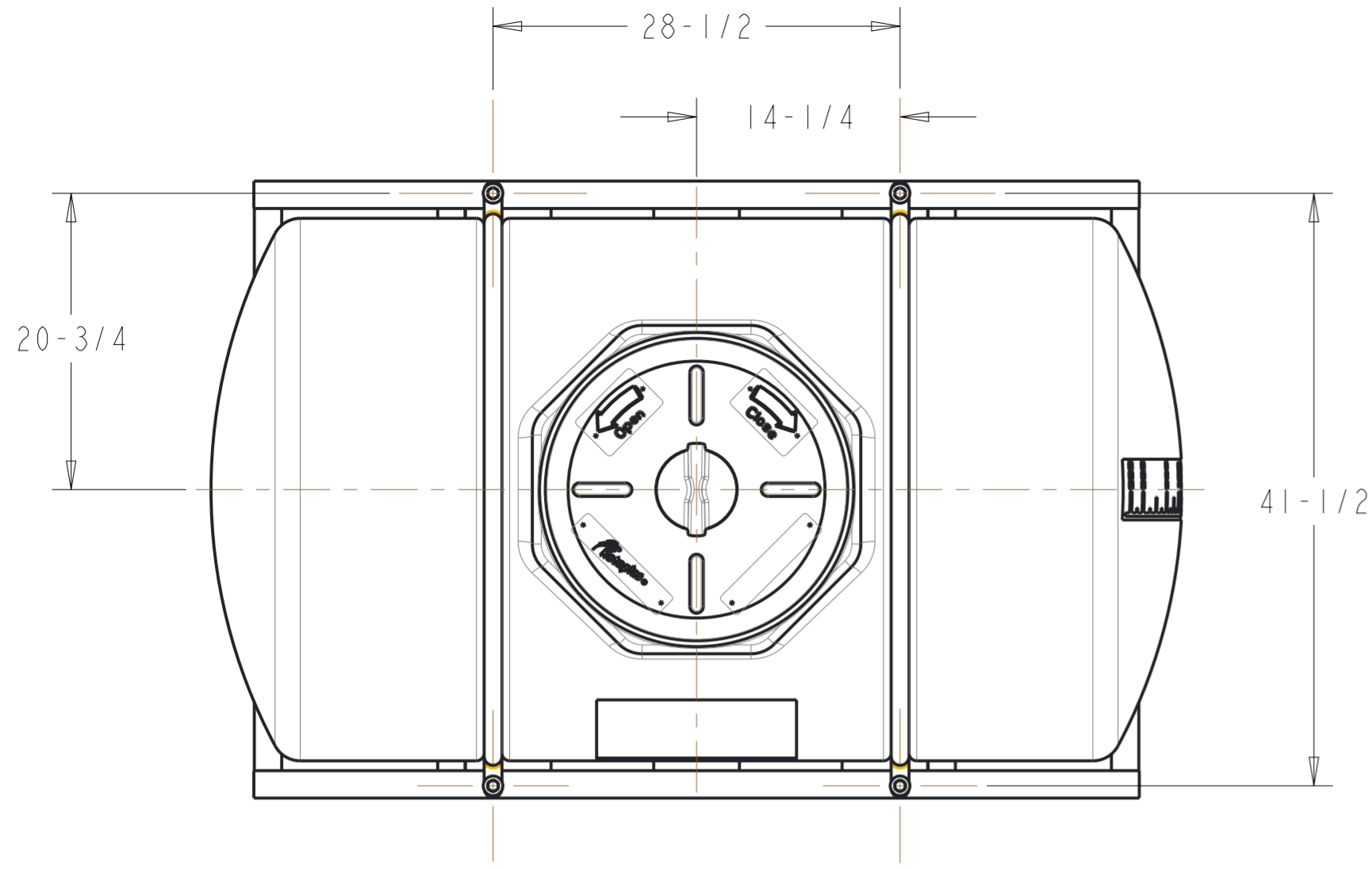
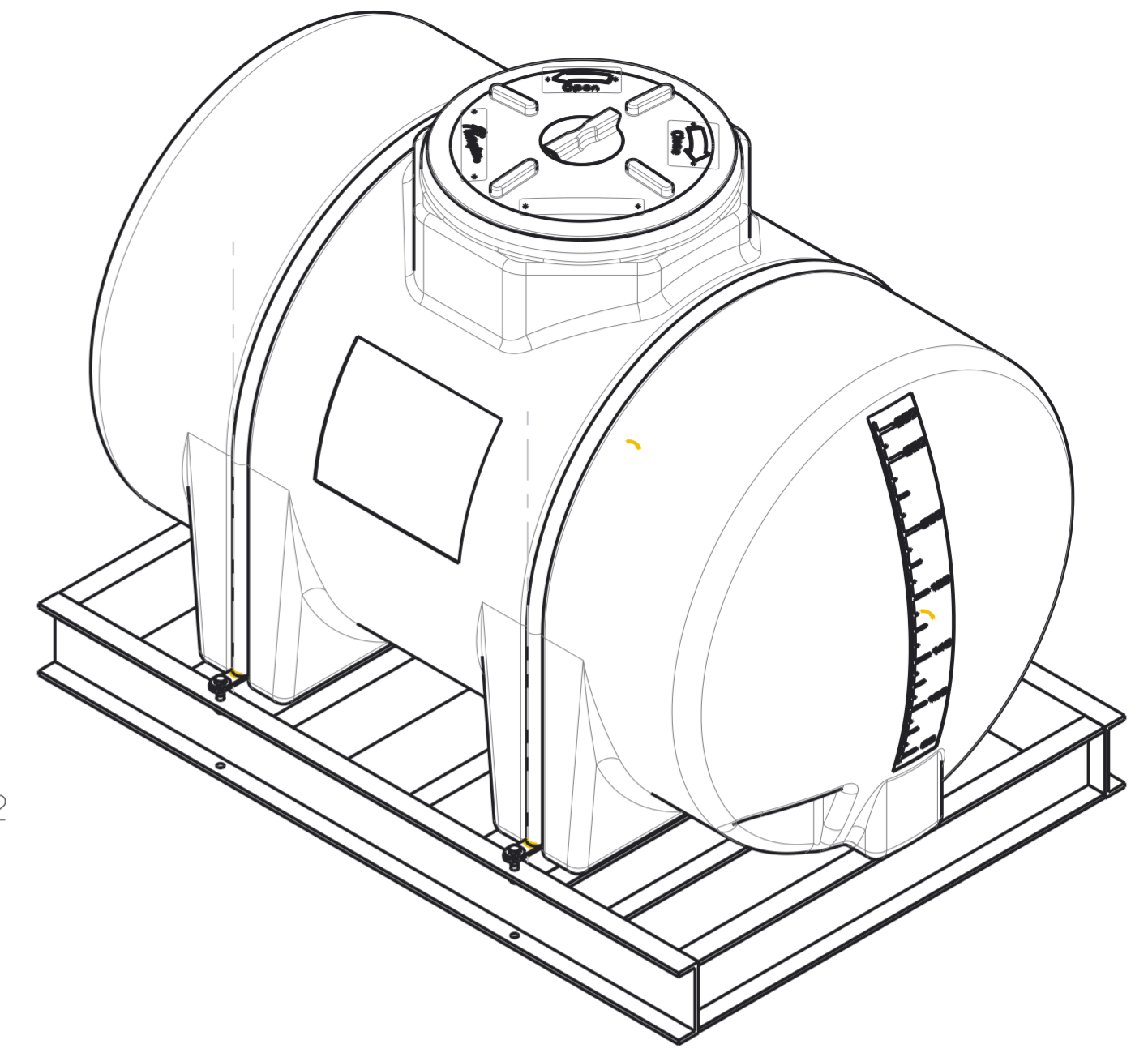


REV.	CHANGE DESCRIPTION	DATE	NAME	APPROVED

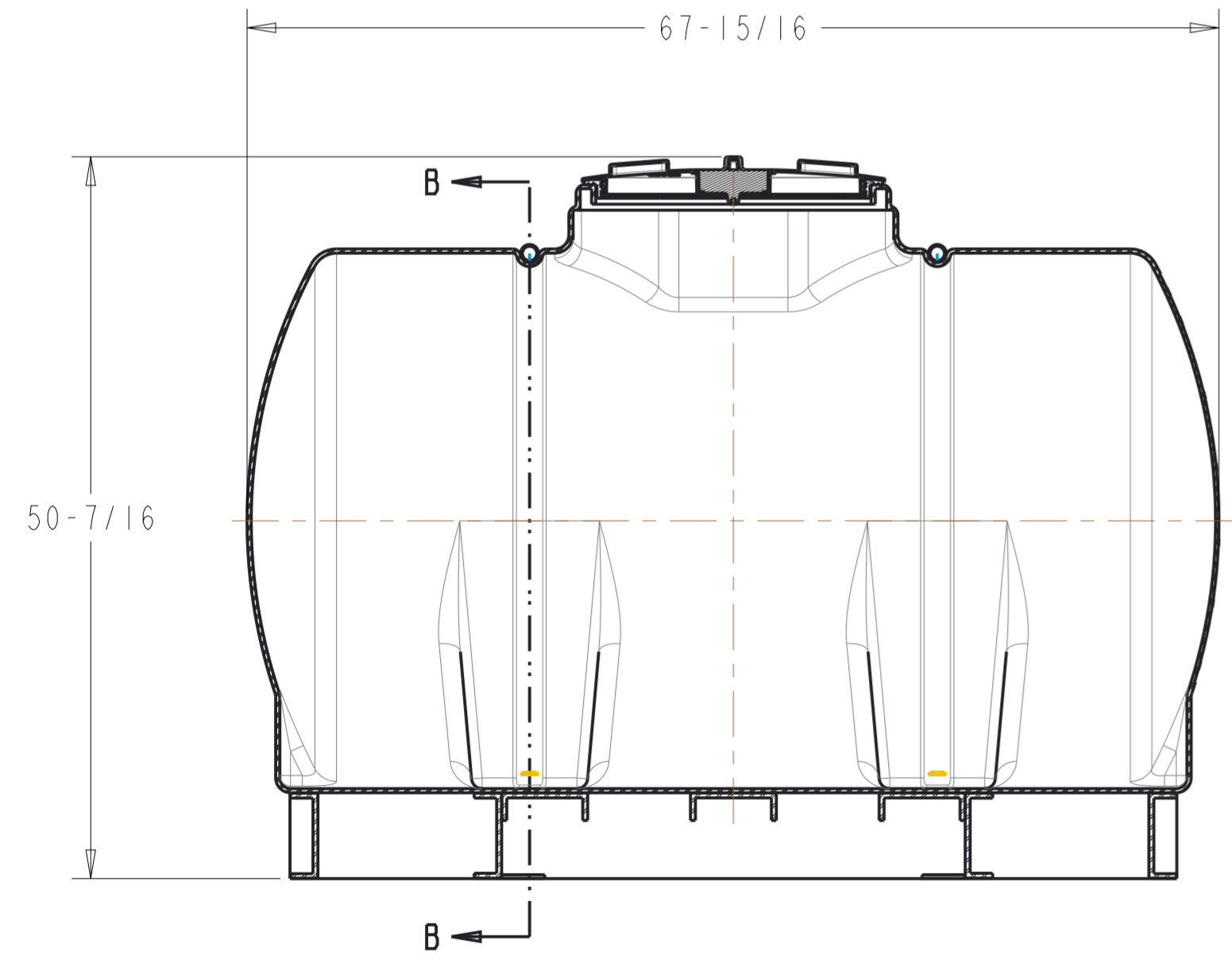


DETAIL A
SCALE 0.750

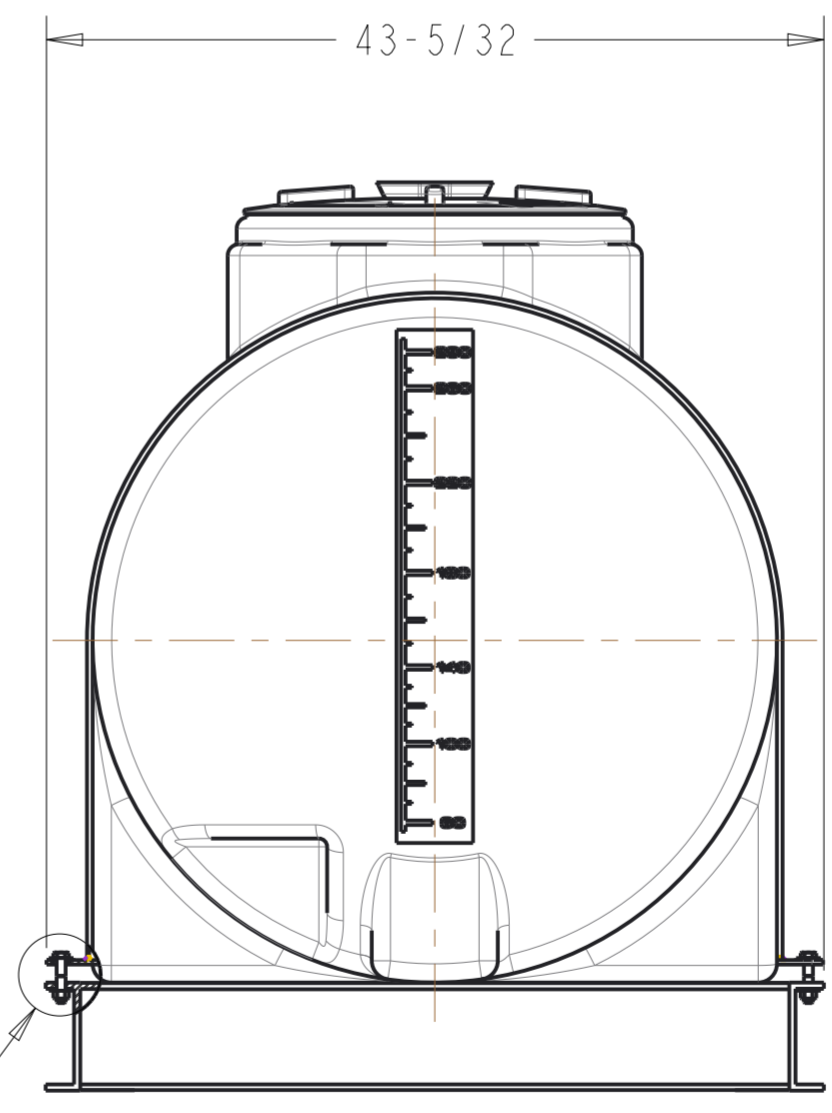
DRILL \varnothing 17/32



SCALE 0.094



SECCIÓN A-A



SECTION B-B

SEE DETAIL A

No.	CANT	CODIGO	DESCRIPCION	MATERIAL	OBSERVACIONES
4	1	R-E-1250	STEEL SKID FOR 300 GAL LEG TANK	CARBON STEEL A-36	---
3	2	R-E-1144	HOOP FOR 300 GALLON LEG TANK	CARBON STEEL A-36	---
2	1	R-D-173	HORIZONTAL LEG TANK 300 GAL	HDPE	---
1	1	A-B-200	END CAP 450 WITH VENT	INDICATED	---

ESCALE:	SIZE:	DESIGNER BY:	DATE:
0.09	A2	Ing. M. Elias	Jan-14-16
UNITS:	REVIEWED BY:	DATE:	
INCHES	Ing. F. Guadarrama		
PROJECTION:	APPROVED BY:	DATE:	
1st Angle	Ing. Joel Pérez		
	RELEASED BY:	DATE:	

INNOVATION AND DEVELOPMENT CENTER 		MATERIAL:
PROJECT: HORIZONTAL TANKS USA		FINISHED SURFACE:
DESCRIPTION: 300 GALLONS HORIZONTAL LEG TANK ASSY		REFERENCE DRAWING:
CODE:	R-B-646	REV:
		0