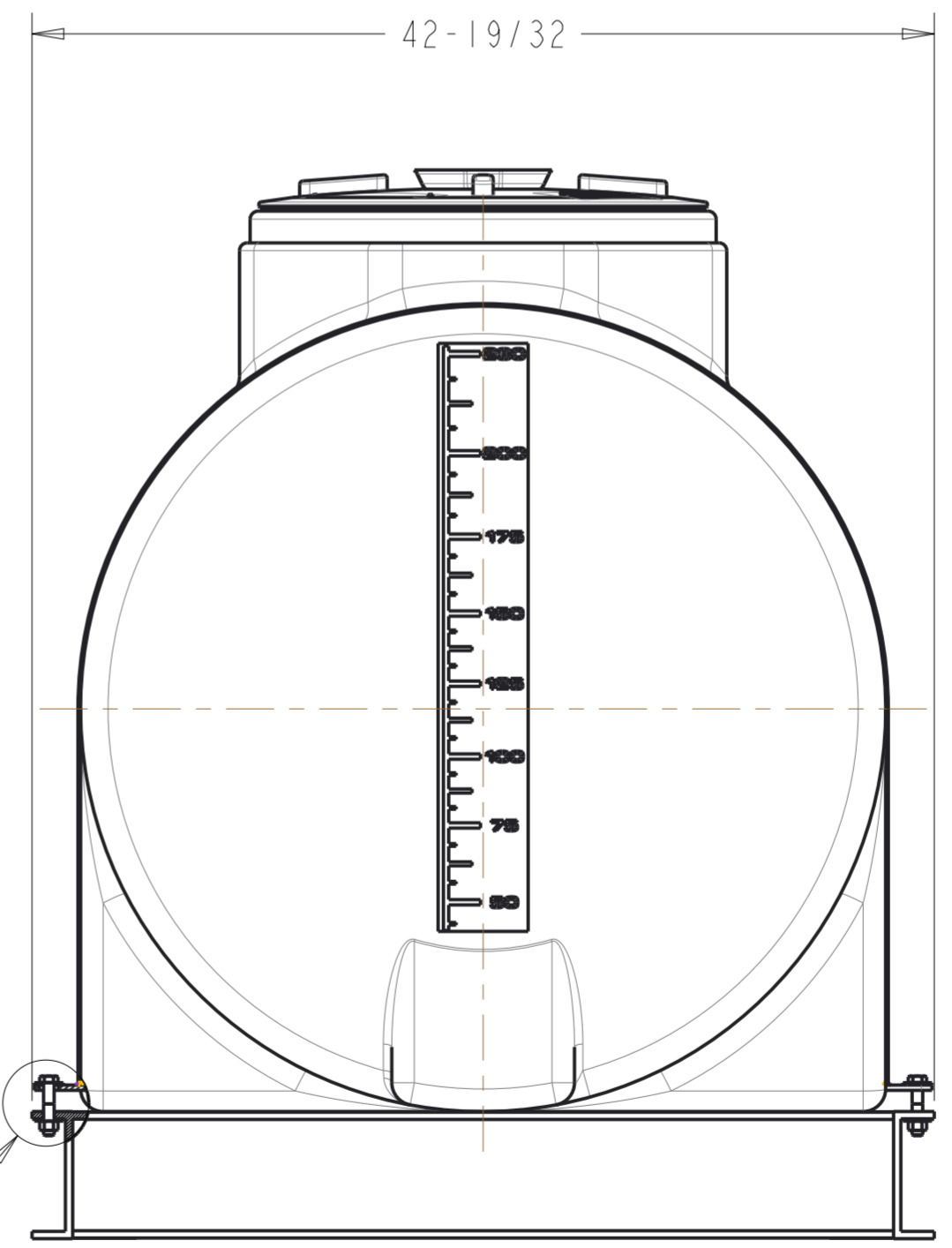
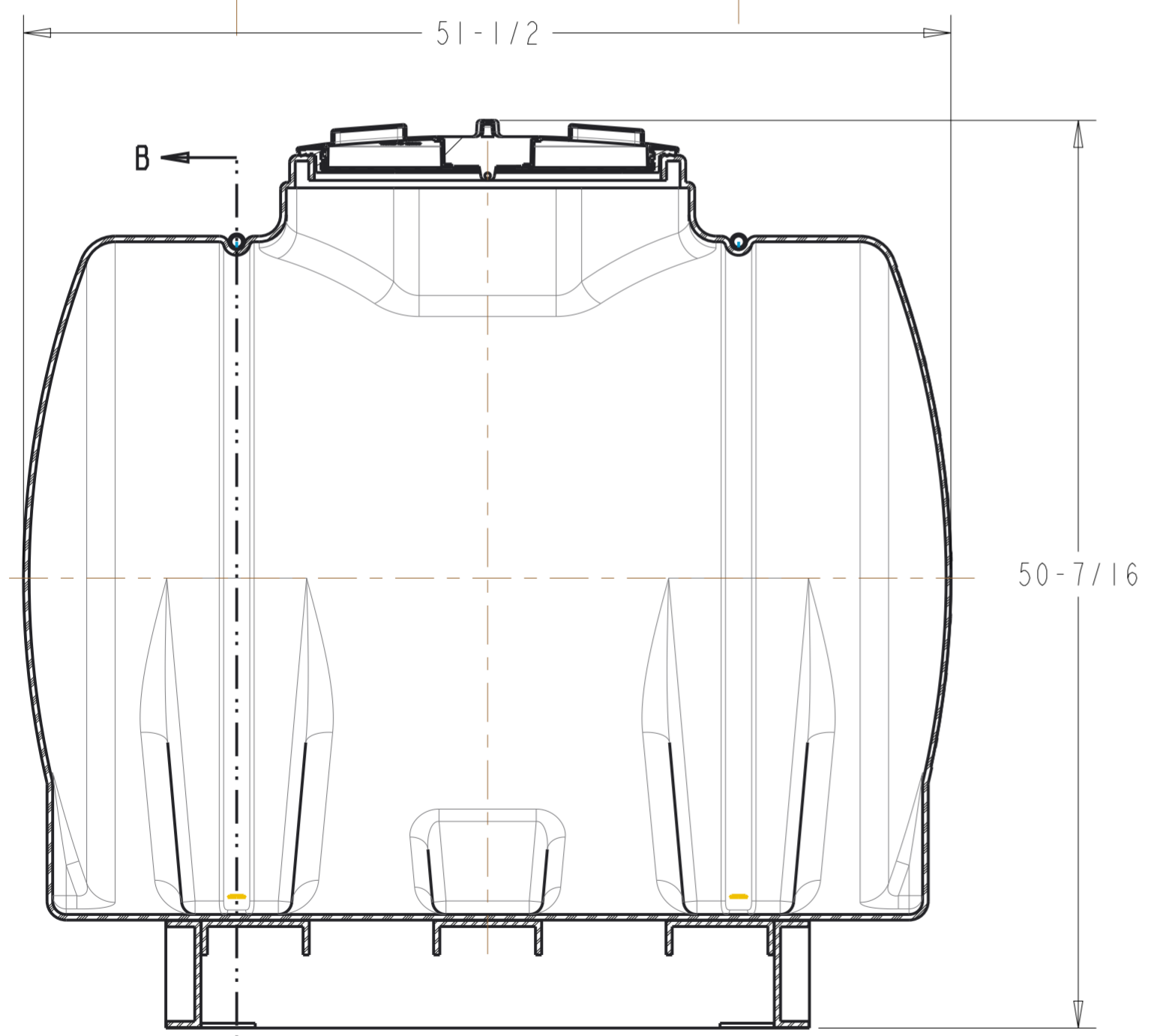
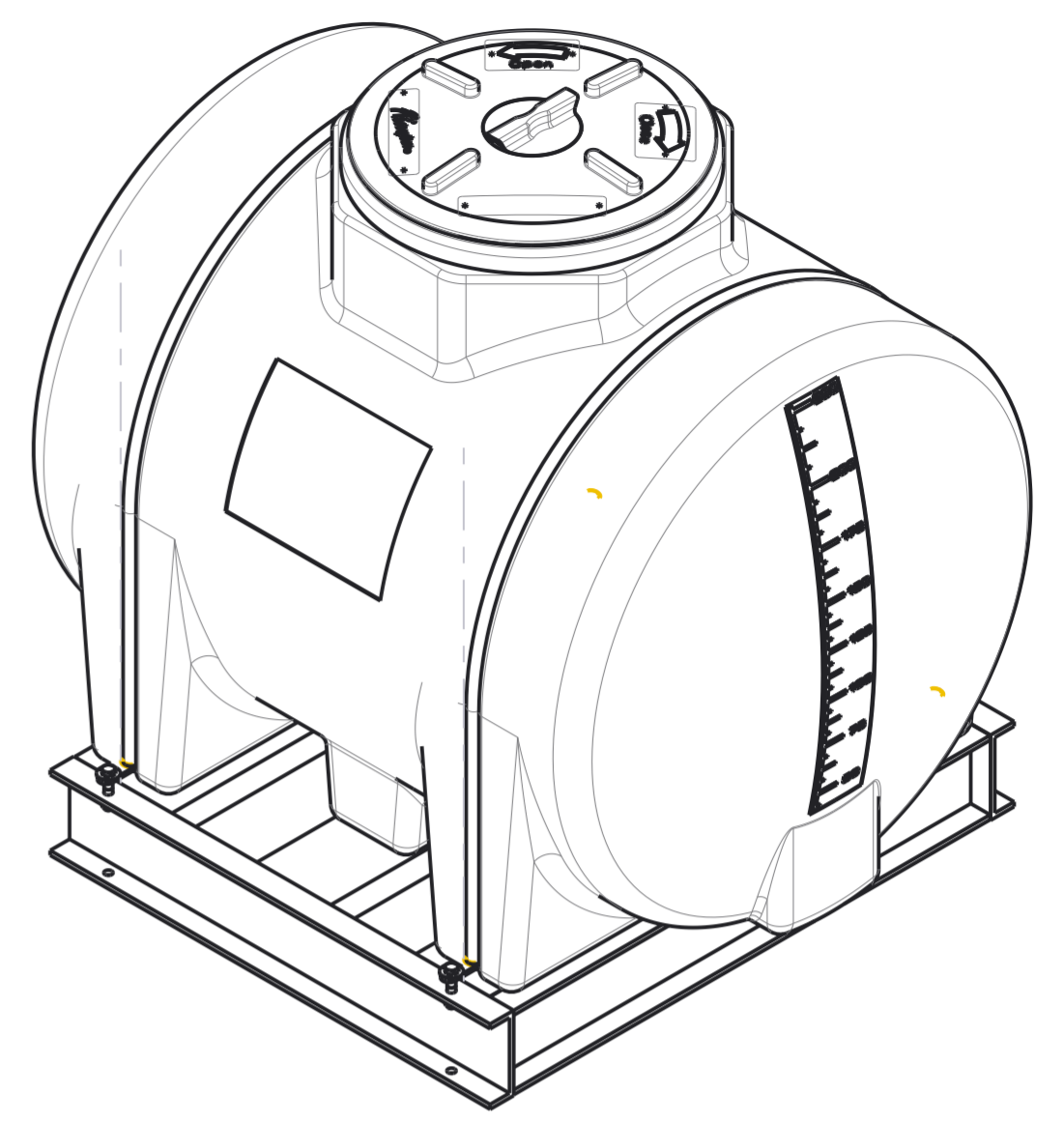
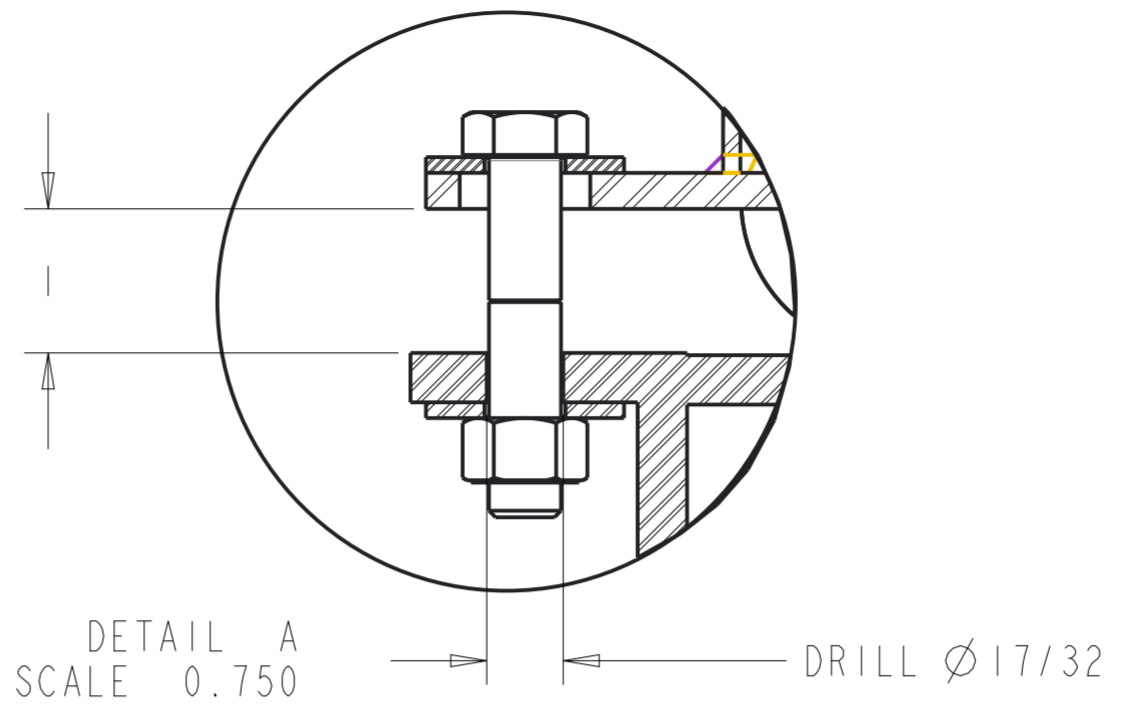
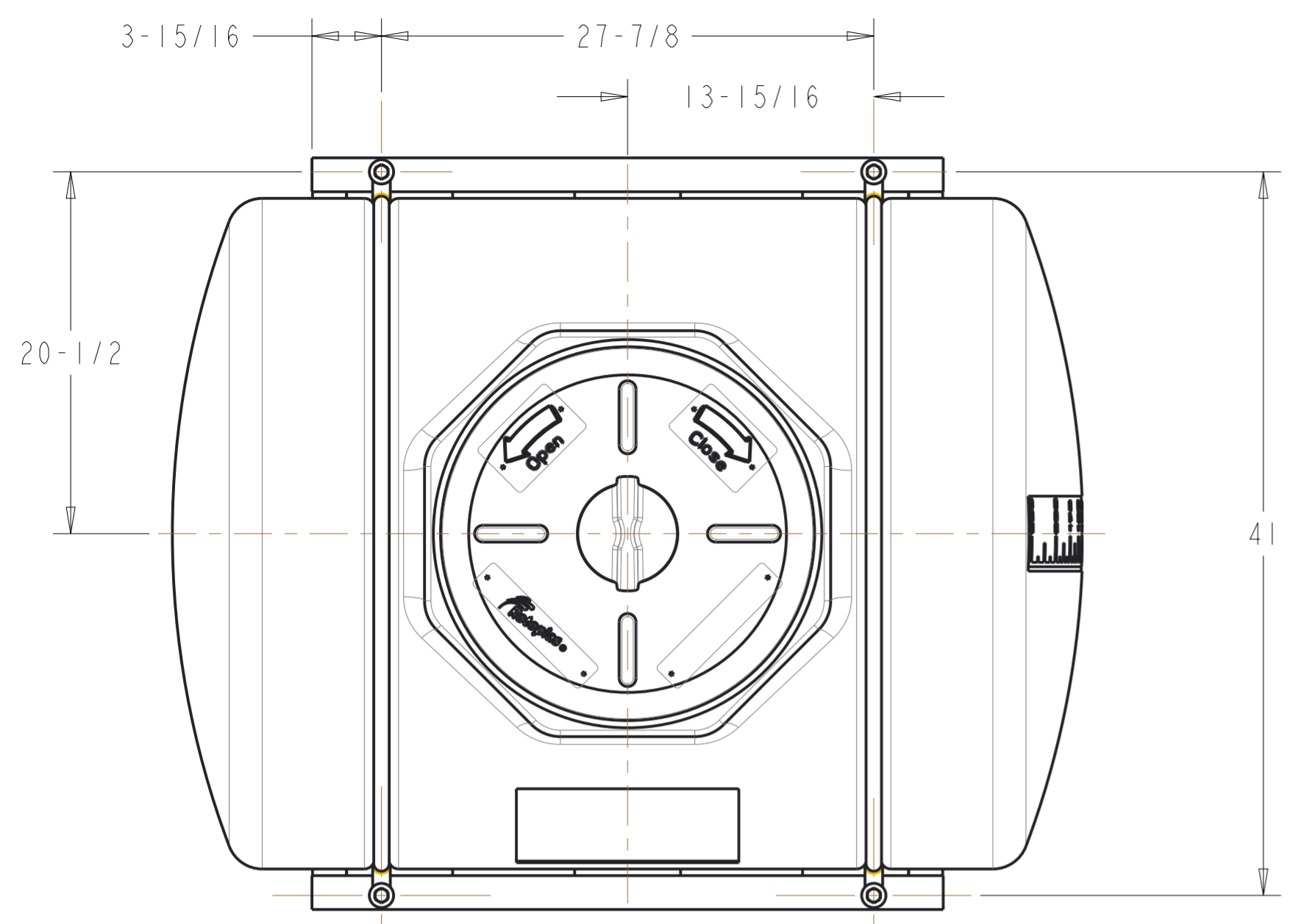




| REV. | CHANGE DESCRIPTION | DATE | NAME | APPROVED |
|------|--------------------|------|------|----------|
| | | | | |



| No. | CANT | CODIGO | DESCRIPCION | MATERIAL | OBSERVACIONES |
|-----|------|----------|---------------------------------|-------------------|---------------|
| 4 | 1 | R-E-1249 | STEEL SKID FOR 230 GAL LEG TANK | CARBON STEEL A-36 | |
| 3 | 2 | R-E-1143 | HOOP FOR 230 GALLON LEG TANK | CARBON STEEL A-36 | |
| 2 | 1 | R-D-174 | HORIZONTAL LEG TANK 230 GAL | HDPE | --- |
| 1 | 1 | A-B-200 | END CAP 450 WITH VENT | INDICATED | |

| | | | | | |
|---------------|---|---------------------------------|-----------------|---|--------------------|
| SCALE: 0.13 | SIZE: A2 | DESIGNER BY: Ing. M. Elias | DATE: Jan-14-16 | INNOVATION AND DEVELOPMENT CENTER  | MATERIAL: |
| UNITS: INCHES | PROJECTION:  | REVIEWED BY: Ing. F. Guadarrama | DATE: | | FINISHED SURFACE: |
| | | APPROVED BY: Ing. Joel Pérez | DATE: | PROJECT: HORIZONTAL LEG TANKS USA | REFERENCE DRAWING: |
| | | RELEASED BY: | DATE: | DESCRIPTION: 230 GALLONS HORIZONTAL LEG TANK | CODE: R-B-645 |
| | | | | | REV: 0 |