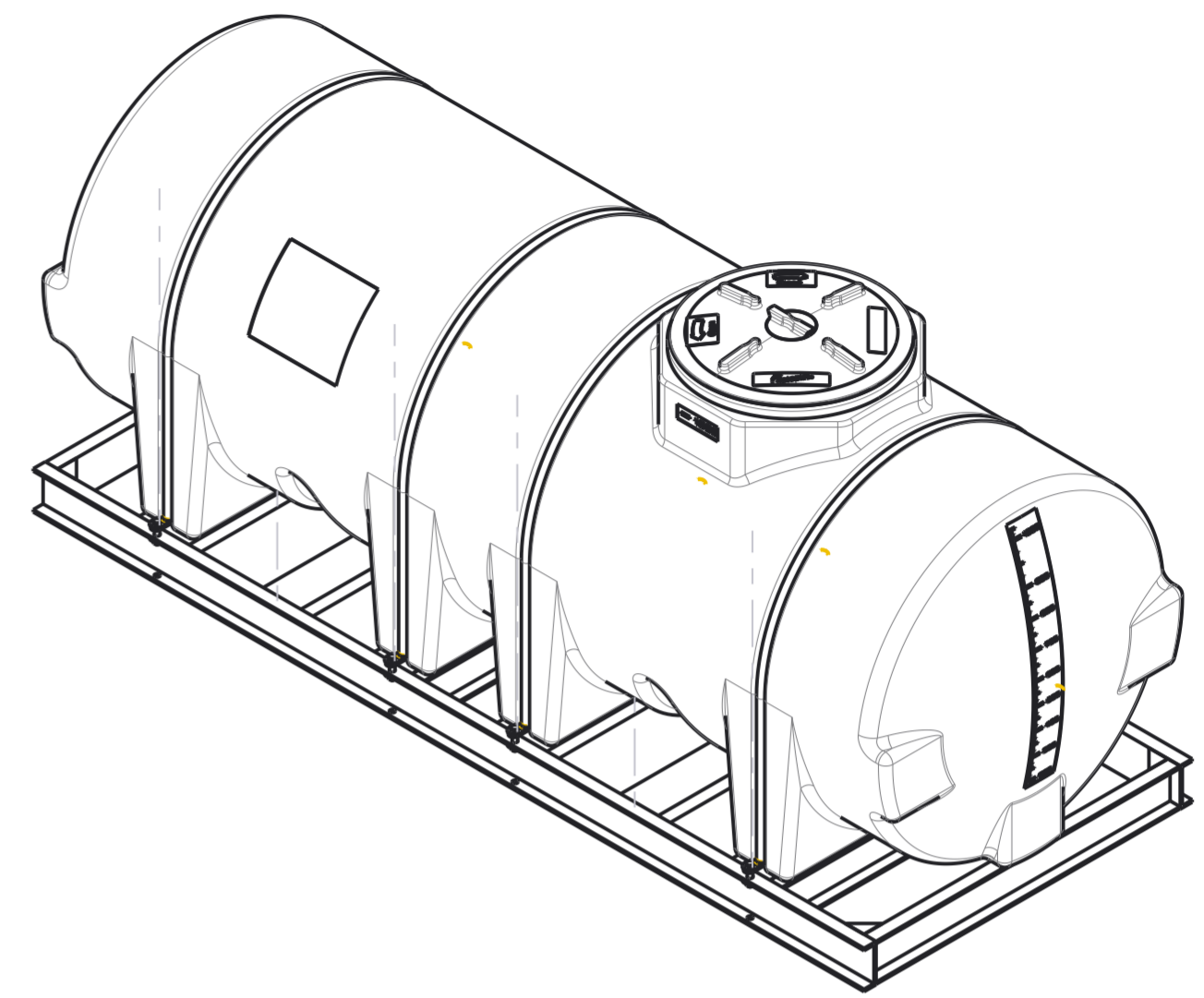
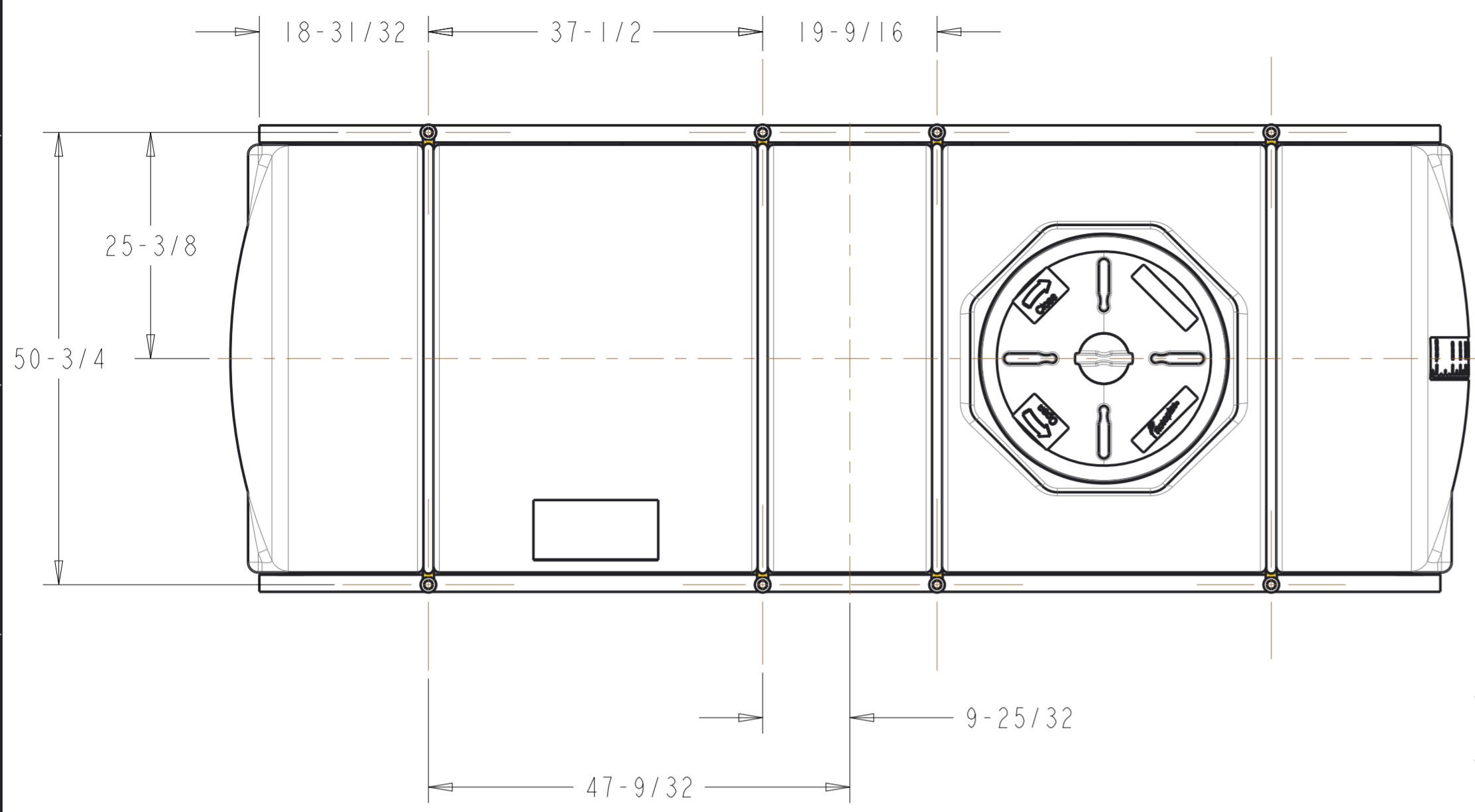
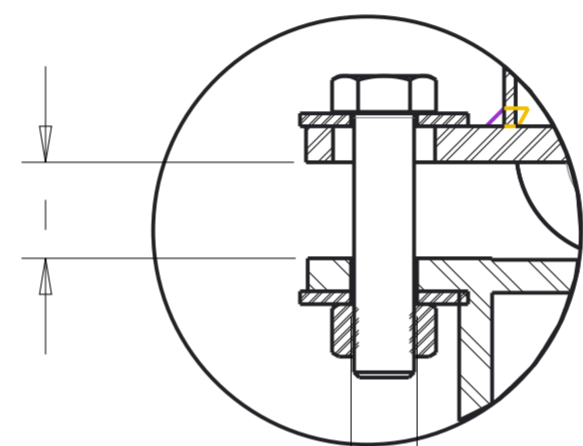


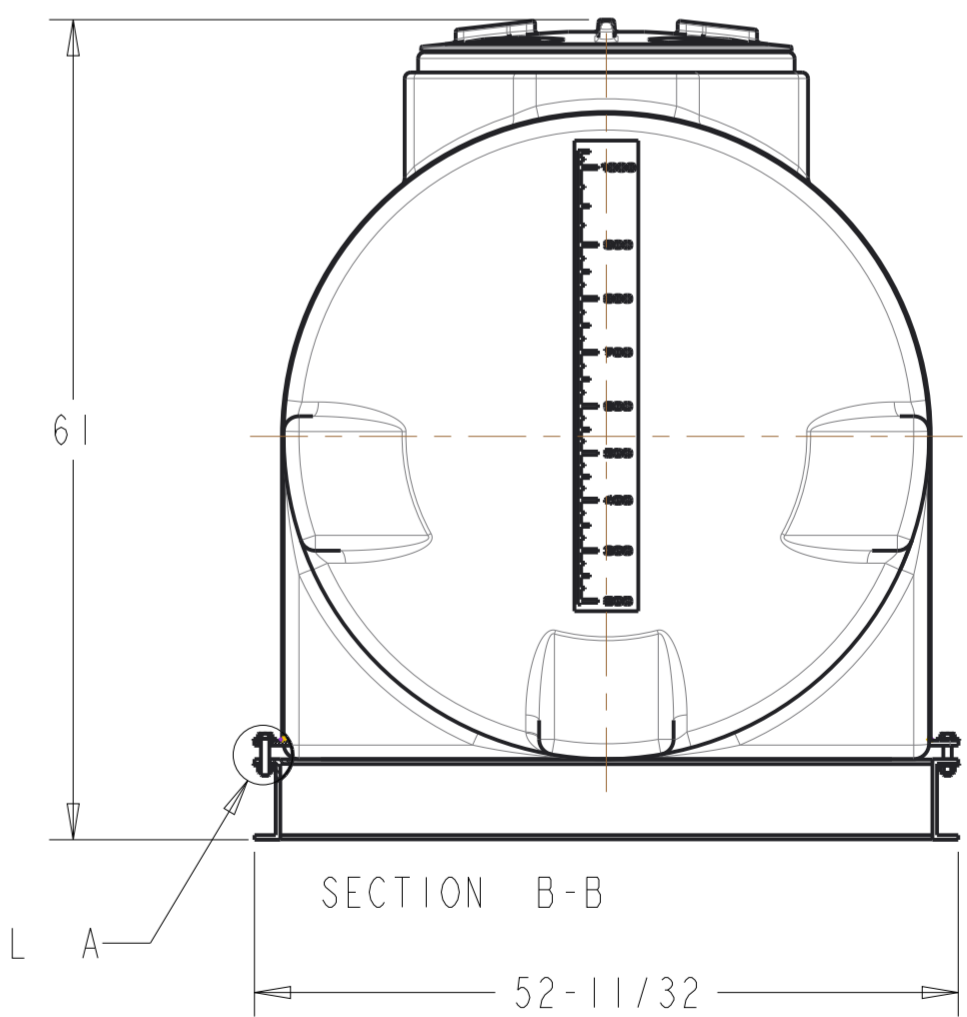
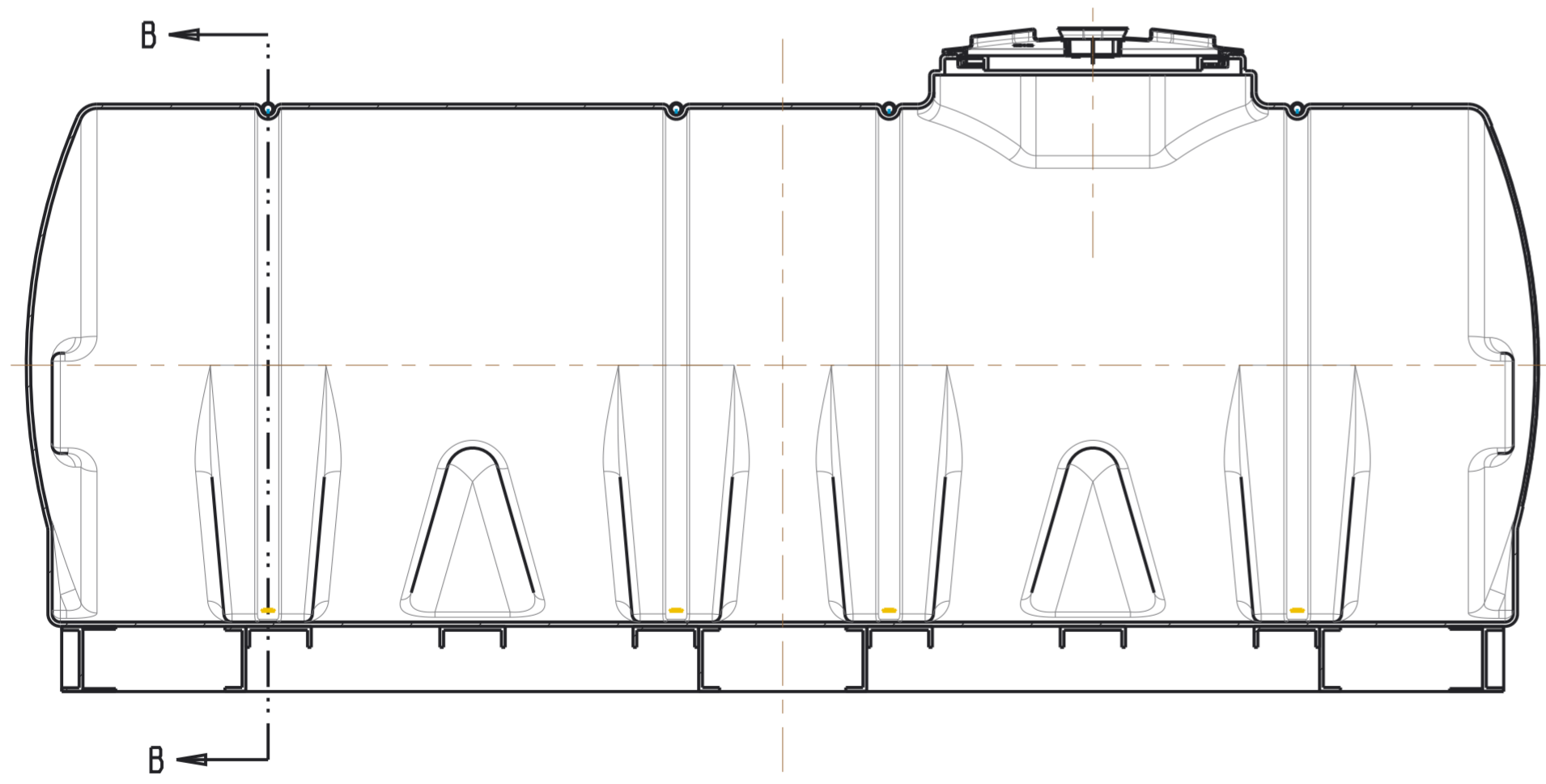
| REV. | CHANGE DESCRIPTION | DATE | NAME | APPROVED |
|------|--------------------|------|------|----------|
| | | | | |



SCALE 0.050



DRILL Ø 11/16



SEE DETAIL A

| No. | CANT | CODIGO | DESCRIPCION | MATERIAL | OBSERVACIONES |
|-----|------|----------|----------------------------------|-------------------|---------------|
| 4 | 1 | R-E-1248 | STEEL SKID FOR 1025 GAL LEG TANK | CARBON STEEL A-36 | |
| 3 | 4 | R-E-1147 | HOOP FOR 1025 GALLON LEG TANK | CARBON STEEL A-36 | |
| 2 | 1 | R-D-175 | HORIZONTAL LEG TANK 1025 GAL | HDPE | --- |
| 1 | 1 | A-B-202 | END CAP 600 WITH VENT | INDICATED | |

| | | | | | |
|-------------|-------------|---------------------------------|-----------------|--|---|
| SCALE: 0.07 | SIZE: A2 | DESIGNER BY: Ing. M. Elias | DATE: Jan-13-16 | INNOVATION AND DEVELOPMENT CENTER | MATERIAL: |
| UNITS: INCH | PROJECTION: | REVIEWED BY: Ing. F. Guadarrama | DATE: | | PROJECT: HORIZONTAL LEG TANKS USA |
| | | APPROVED BY: Ing. Joel Pérez | DATE: | | REFERENCE DRAWING: |
| | | RELEASED BY: | DATE: | | DESCRIPTION: 1025 GALLONS HORIZONTAL LEG TANK |
| | | | | | CODE: R-B-644 |
| | | | | | REV: 0 |