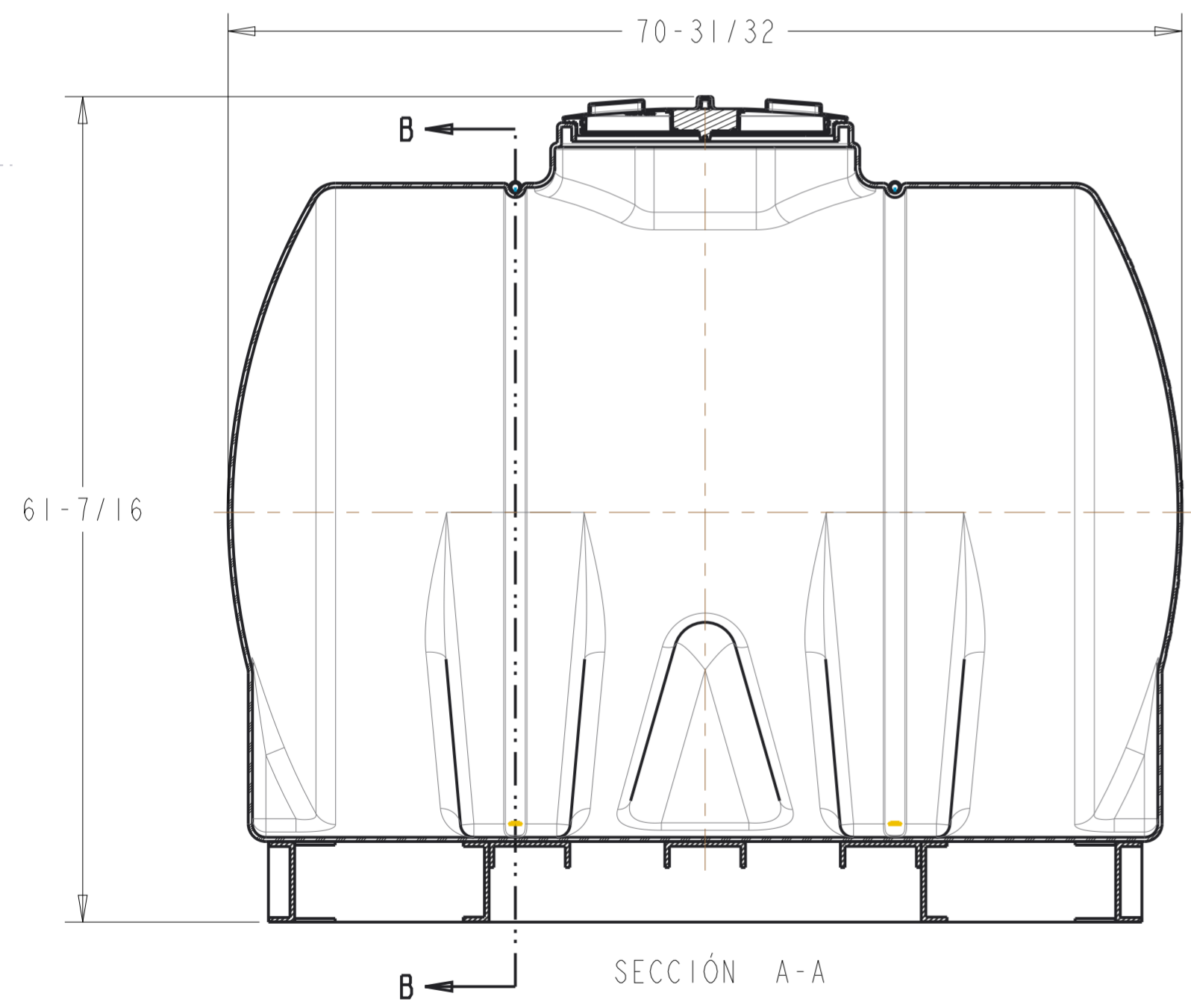
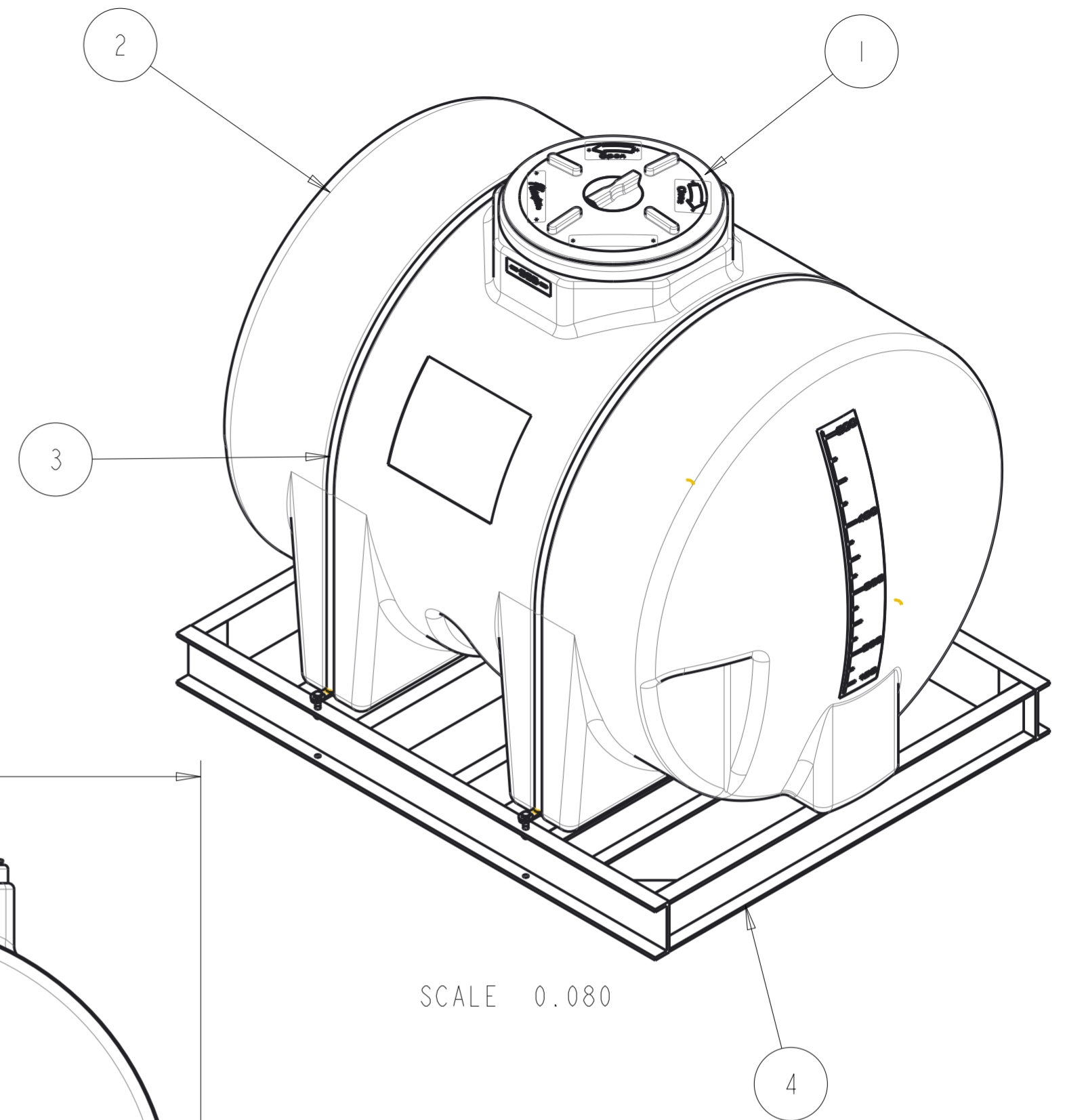
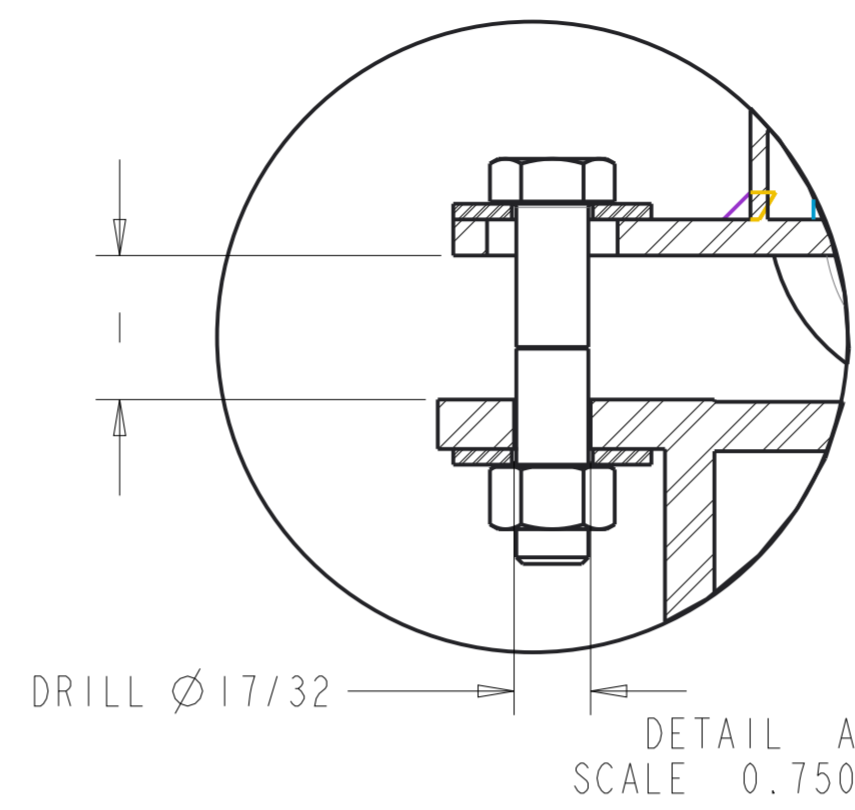
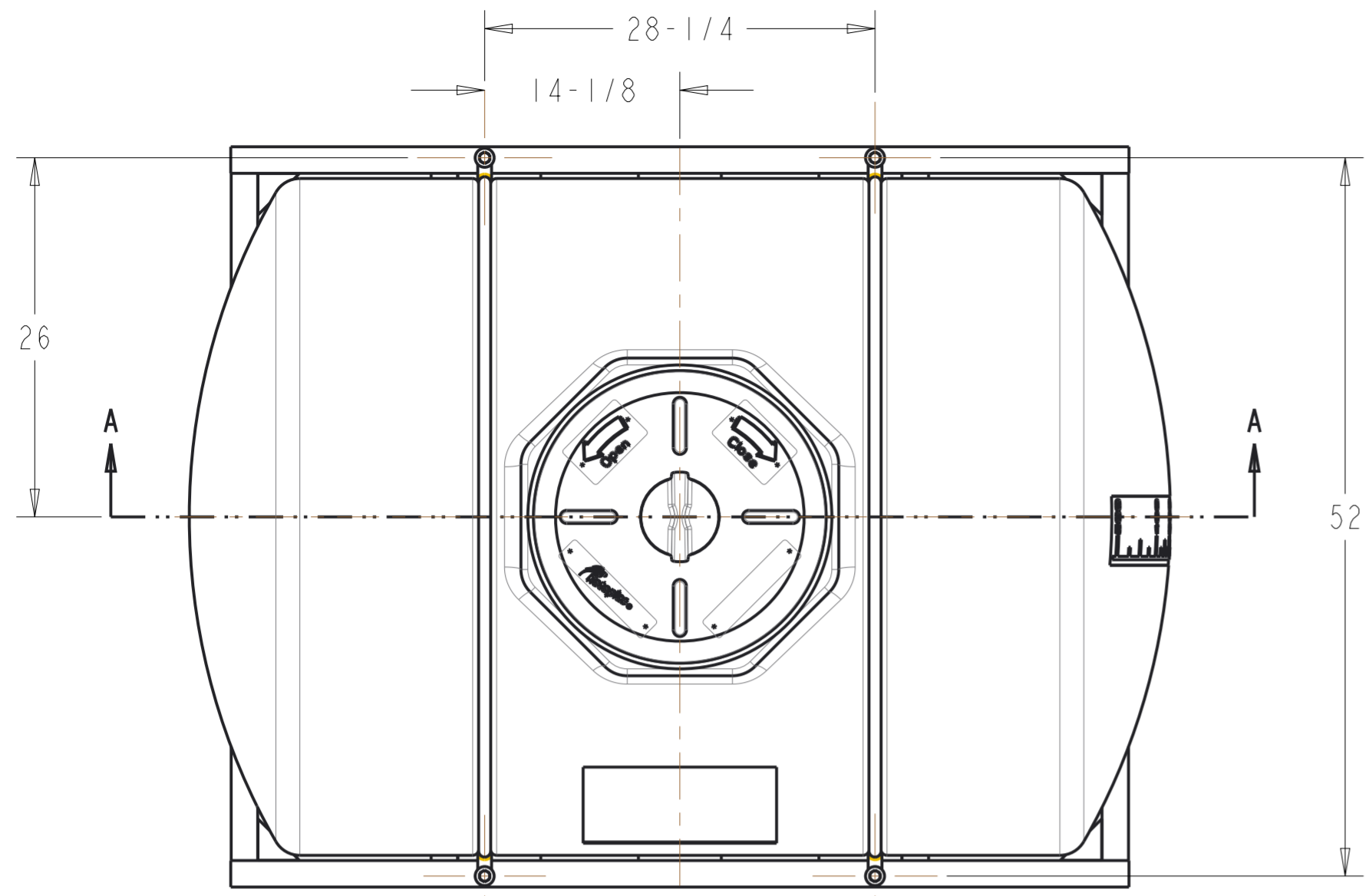
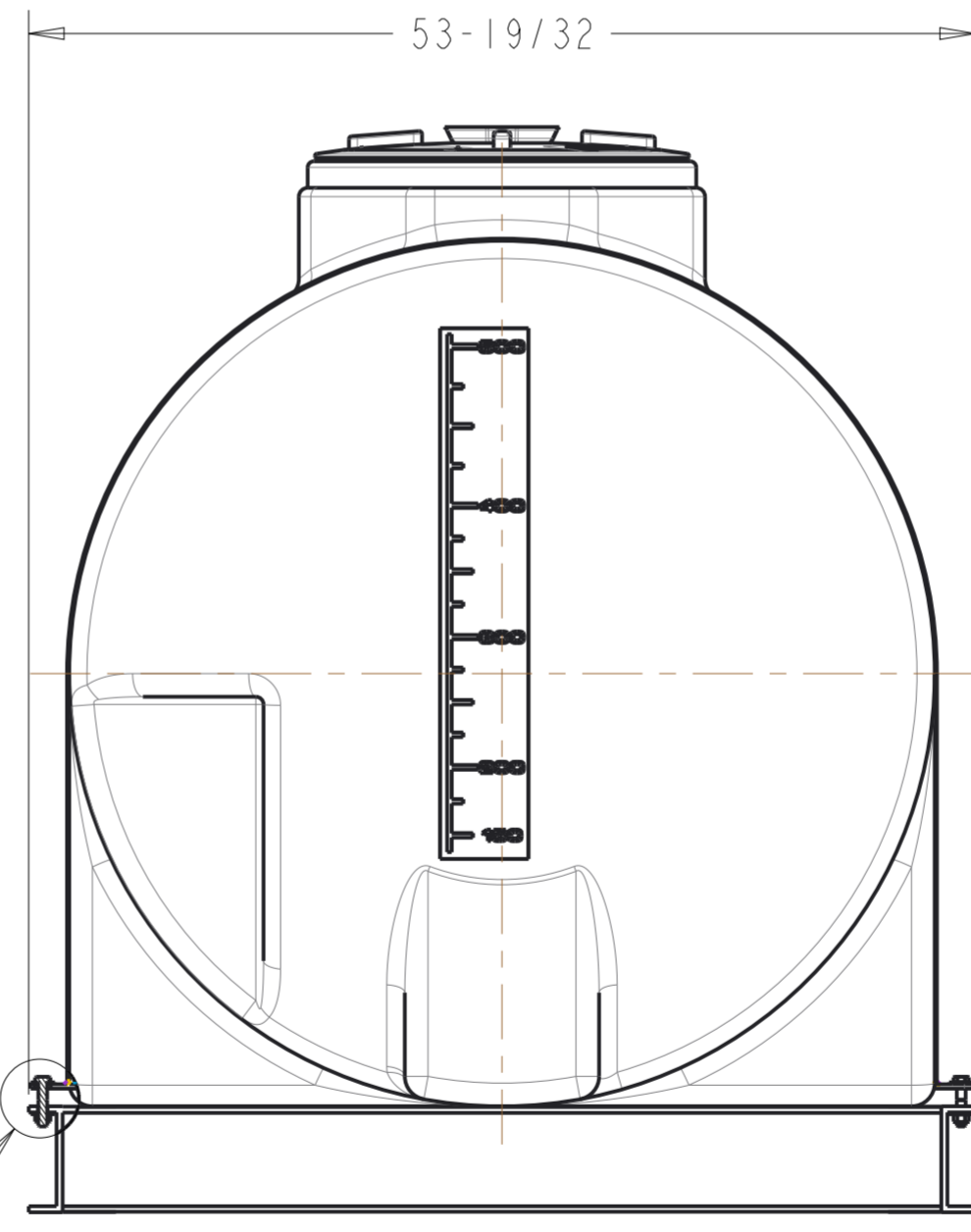


REV.	CHANGE DESCRIPTION	DATE	NAME	APPROVED



SEE DETAIL A



SECTION B-B

No.	CANT	CODIGO	DESCRIPCION	MATERIAL	OBSERVACIONES
4	1	R-E-1251	STEEL SKID FOR 525 GAL LEG TANK	CARBON STEEL A-36	---
3	2	R-E-1146	HOOP FOR 525 GALLON LEG TANK	CARBON STEEL A-36	---
2	1	R-D-169	HORIZONTAL LEG TANK 525 GAL	HDPE	---
1	1	A-B-200	END CAP 450 WITH VENT	INDICATED	---

ESCALE: 0.09	SIZE: A2	DESIGNER BY: Ing. M. Elias	DATE: Jan-14-16
UNITS: INCHES	REVIEWED BY: Ing. F. Guadarrama	APPROVED BY: Ing. Joel Pérez	DATE:
PROJECTION:	RELEASED BY:	DATE:	

INNOVATION AND DEVELOPMENT CENTER 		MATERIAL:
PROJECT: HORIZONTAL TANKS USA		FINISHED SURFACE:
DESCRIPTION: 525 GALLONS HORIZONTAL LEG TANK ASSY		REFERENCE DRAWING:
CODE: R-B-647	REV: 0	